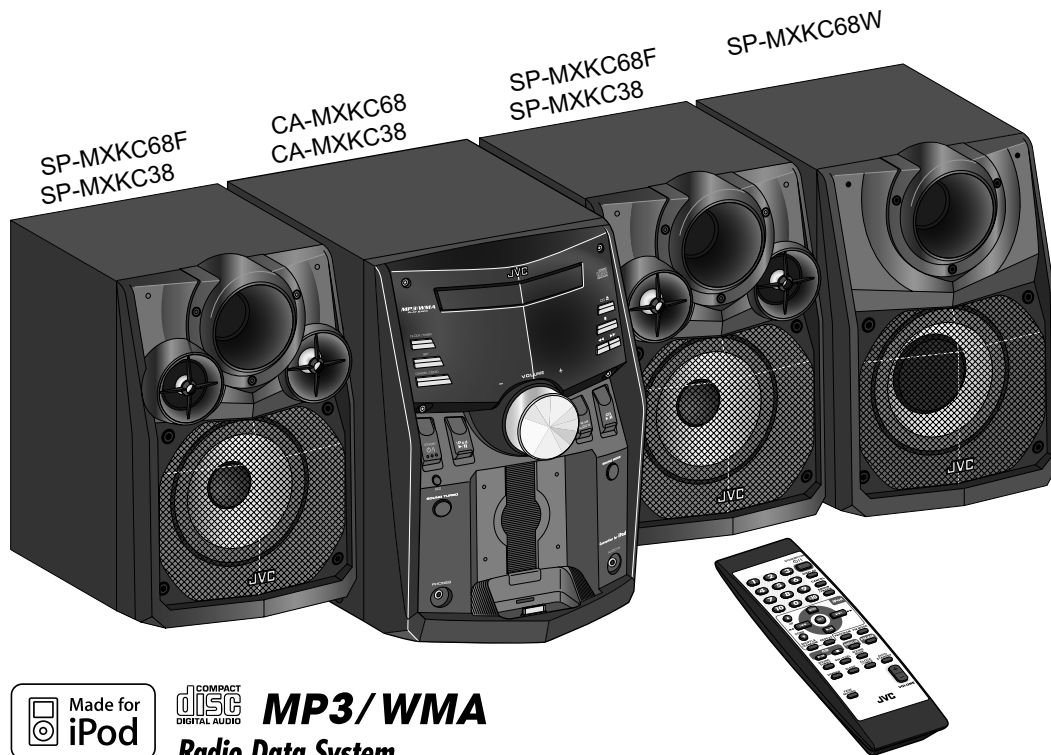


JVC

SERVICE MANUAL

COMPACT COMPONENT SYSTEM

**MX-KC68J, MX-KC68C, MX-KC68B, MX-KC68E,
MX-KC68EN, MX-KC68EV, MX-KC68A,
MX-KC68UJ, MX-KC68UW, MX-KC38J, MX-KC38C**



Lead free solder used in the board (material : Sn-Ag-Cu, melting point : 219 Centigrade)
Lead free solder used in the board (material : Sn-Cu, melting point : 230 Centigrade)

TABLE OF CONTENTS

| | | |
|---|------------------------------------|------|
| 1 | PRECAUTION..... | 1-5 |
| 2 | SPECIFIC SERVICE INSTRUCTIONS..... | 1-8 |
| 3 | DISASSEMBLY..... | 1-8 |
| 4 | ADJUSTMENT..... | 1-20 |
| 5 | TROUBLESHOOTING..... | 1-21 |

SPECIFICATION

MX-KC68J/C/MX-KC38J/C

| Amplifier section OUTPUT POWER | | |
|--|---|--------------------------------|
| Main speakers | 110 W per channel min. RMS driven into 3Ω at 1 kHz with no more than 10% total harmonic distortion | |
| Speakers/Impedance | 3Ω - 6 Ω | |
| Subwoofer (for MX-KC68) | 180 W per channel min. RMS driven into 8 Ω at 63 Hz with no more than 10% total harmonic distortion | |
| Speakers/Impedance | 8 Ω - 16 Ω | |
| Tuner section | | |
| FM tuning range | 87.5 MHz - 108.0 MHz | |
| AM tuning range | 530 kHz - 1 710 kHz | |
| CD player section | | |
| Dynamic range | 90 dB | |
| Signal-to-noise ratio | 85 dB | |
| Wow and flutter | Immeasurable | |
| Main speakers (MX-KC68/SP-MXKC38) | | |
| Type | 3-Way 3-Speaker Bass-Reflex Type | |
| Speaker units | Main Woofer | 16 cm (6-5/16 inches) cone x 1 |
| | Mid Range | 5 cm (2 inches) cone x 1 |
| | Tweeter | 2 cm (13/16 inches) dome x 1 |
| Power Handling Capacity | 110 W | |
| Impedance | 3 Ω | |
| Frequency Range | 41 Hz - 35 kHz | |
| Sound Pressure Level | 83 dB/W•m | |
| Dimensions (approx.) | 210 mm x 315 mm x 220 mm (W/H/D) | |
| | (8-5/16 inches x 12-7/16 inches x 8-11/16 inches) | |
| Mass (approx.) | 3.0 kg (6.7 lbs) each | |
| Subwoofer (MX-KC68) | | |
| Type | 1-Way Bass-Reflex Type | |
| Speaker | 16 cm (6-5/16 inches) cone x 1 | |
| Power Handling Capacity | 180 W | |
| Impedance | 8 Ω | |
| Frequency Range | 38 Hz - 5 kHz | |
| Sound Pressure Level | 83 dB/W•m | |
| Dimensions (approx.) | 210 mm x 315 mm x 242 mm (W/H/D) | |
| | (8-5/16 inches x 12-7/16 inches x 9-9/16 inches) | |
| Mass (approx.) | 3.4 kg (7.5 lbs) | |
| General | | |
| Power requirements | AC 120 V , 60 Hz | |
| Audio input AUDIO IN | 400 mV/47 kΩ | |
| Power supply to iPod | DC 5 V 500 mA | |
| Power consumption | 95 W (MX-KC68) - power on | |
| | 60 W (MX-KC38) - power on | |
| | 9 W - standby mode, without charging iPod | |
| | 0.9 W or less - save mode | |
| Dimensions (W x H x D) | 215 mm x 307 mm x 309 mm | |
| | (8-1/2 inches x 12-1/8 inches x 12-3/16 inches) | |
| Mass (approx.) | 3.8 kg (8.4 lbs) (MX-KC68) | |
| | 3.6 kg (8.0 lbs) (MX-KC38) | |

Specifications and appearance are subject to change without prior notice.

MX-KC68B/E/EN/EV

| Amplifier section | | | |
|-------------------------------|---|---|----------------|
| OUTPUT POWER | Main speakers | 110 W per channel min. RMS driven into 3 Ω at 1 kHz with no more than 10% total harmonic distortion | |
| | | Speakers/Impedance: 3 Ω - 6 Ω | |
| | Subwoofer | 180 W min. RMS driven into 8 Ω at 63 Hz with no more than 10% total harmonic distortion | |
| | | Speakers/Impedance: 8 Ω - 16 Ω | |
| Tuner section | FM tuning range | 87.50 MHz - 108.00 MHz | |
| | AM tuning range | 522 kHz - 1 629 kHz | |
| CD player section | Dynamic range | 86 dB | |
| | Signal-to-noise ratio | 85 dB | |
| | Wow and flutter | Immeasurable | |
| Speakers | | | |
| Main speakers (SP-MXKC68F) | Type | 3-Way 3-Speaker Bass-Reflex Type | |
| | Speaker units | Main Woofer | 16 cm cone x 1 |
| | | Mid Range | 5 cm cone x 1 |
| | | Tweeter | 2 cm dome x 1 |
| | Power Handling Capacity | 110 W | |
| | Impedance | 3 Ω | |
| | Frequency Range | 41 Hz - 35 kHz | |
| | Sound Pressure Level | 83 dB/W•m | |
| | Dimensions (approx.) | 210 mm x 315 mm x 220 mm (W/H/D) | |
| Mass (approx.) | 3.0 kg each | | |
| Subwoofer (SP-MXKC68W) | Type | 1-Way Bass-Reflex Type | |
| | Speaker | 16 cm cone x 1 | |
| | Power Handling Capacity | 180 W | |
| | Impedance | 8 Ω | |
| | Frequency Range | 38 Hz - 5 kHz | |
| | Sound Pressure Level | 83 dB/W•m | |
| | Dimensions (approx.) | 210 mm x 315 mm x 242 mm (W/H/D) | |
| Mass (approx.) | 3.4 kg | | |
| General | | | |
| Power requirements | AC 230 V , 50 Hz | | |
| Audio input AUDIO IN | 400 mV/47 kΩ | | |
| Power supply to iPod | DC 5 V 500 mA | | |
| Power consumption | 95 W - power on | | |
| | 9 W - standby mode, without charging iPod | | |
| | 0.8 W or less - save mode | | |
| Dimensions (W x H x D) | 215 mm x 307 mm x 309 mm | | |
| Mass (approx.) | 3.8 kg | | |

Specifications and appearance are subject to change without prior notice.

MX-KC68A/UJ/UW

| Amplifier section | | | |
|----------------------------|-------------------------|---|----------------|
| OUTPUT POWER | Main speakers | 110 W per channel min. RMS driven into 3 Ω at 1 kHz with no more than 10% total harmonic distortion | |
| | | Speakers/Impedance: 3 Ω - 6 Ω | |
| | Subwoofer | 180 W per channel min. RMS driven into 8 Ω at 63 Hz with no more than 10% total harmonic distortion | |
| | | Speakers/Impedance: 8 Ω - 16 Ω | |
| Tuner section | | | |
| FM tuning range | | 87.50 MHz - 108.00 MHz | |
| AM tuning range | | 531 kHz - 1 710 kHz (at 9 kHz intervals) | |
| | | 530 kHz - 1 710 kHz (at 10 kHz intervals) | |
| CD player section | | | |
| Dynamic range | | 86 dB | |
| Signal-to-noise ratio | | 85 dB | |
| Wow and flutter | | Immeasurable | |
| Speakers | | | |
| Main speakers (SP-MXKC68F) | Type | 3-Way 3-Speaker Bass-Reflex Type | |
| | Speaker units | Main Woofer | 16 cm cone x 1 |
| | | Mid Range | 5 cm cone x 1 |
| | | Tweeter | 2 cm dome x 1 |
| | Power Handling Capacity | 110 W | |
| | Impedance | 3 Ω | |
| | Frequency Range | 41 Hz - 35 kHz | |
| | Sound Pressure Level | 83 dB/W•m | |
| | Dimensions (approx.) | 210 mm x 315 mm x 220 mm (W/H/D) | |
| Mass (approx.) | 3.0 kg each | | |
| Subwoofer (SP-MXKC68W) | Type | 1-Way Bass-Reflex Type | |
| | Speaker | 16 cm cone x 1 | |
| | Power Handling Capacity | 180 W | |
| | Impedance | 8 Ω | |
| | Frequency Range | 38 Hz - 5 kHz | |
| | Sound Pressure Level | 83 dB/W•m | |
| | Dimensions (approx.) | 210 mm x 315 mm x 242 mm (W/H/D) | |
| | Mass (approx.) | 3.4 kg | |
| General | | | |
| Power requirements | For Australia | AC 240 V , 50 Hz | |
| | For other countries | AC 110 V-127 V/AC 220 V-240 V adjustable with the voltage selector 50 Hz/60 Hz | |
| Audio input AUDIO IN | | 400 mV/47 kΩ | |
| Power supply to iPod | | DC 5 V 500 mA | |
| Power consumption | | 95 W - power on | |
| | | 9 W - standby mode, without charging iPod | |
| | | 0.8 W or less - save mode | |
| Dimensions (W x H x D) | | 215 mm x 307 mm x 309 mm | |
| Mass (approx.) | | 3.8 kg | |

Specifications and appearance are subject to change without prior notice.

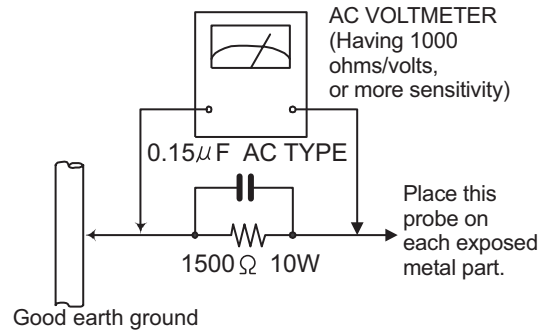
SECTION 1 PRECAUTION

1.1 Safety Precautions

- (1) This design of this product contains special hardware and many circuits and components specially for safety purposes. For continued protection, no changes should be made to the original design unless authorized in writing by the manufacturer. Replacement parts must be identical to those used in the original circuits. Services should be performed by qualified personnel only.
- (2) Alterations of the design or circuitry of the product should not be made. Any design alterations of the product should not be made. Any design alterations or additions will void the manufacturer's warranty and will further relieve the manufacturer of responsibility for personal injury or property damage resulting therefrom.
- (3) Many electrical and mechanical parts in the products have special safety-related characteristics. These characteristics are often not evident from visual inspection nor can the protection afforded by them necessarily be obtained by using replacement components rated for higher voltage, wattage, etc. Replacement parts which have these special safety characteristics are identified in the Parts List of Service Manual. Electrical components having such features are identified by shading on the schematics and by (Δ) on the Parts List in the Service Manual. The use of a substitute replacement which does not have the same safety characteristics as the recommended replacement parts shown in the Parts List of Service Manual may create shock, fire, or other hazards.
- (4) The leads in the products are routed and dressed with ties, clamps, tubings, barriers and the like to be separated from live parts, high temperature parts, moving parts and/or sharp edges for the prevention of electric shock and fire hazard. When service is required, the original lead routing and dress should be observed, and it should be confirmed that they have been returned to normal, after reassembling.
- (5) Leakage shock hazard testing
After reassembling the product, always perform an isolation check on the exposed metal parts of the product (antenna terminals, knobs, metal cabinet, screw heads, headphone jack, control shafts, etc.) to be sure the product is safe to operate without danger of electrical shock. Do not use a line isolation transformer during this check.
 - Plug the AC line cord directly into the AC outlet. Using a "Leakage Current Tester", measure the leakage current from each exposed metal part of the cabinet, particularly any exposed metal part having a return path to the chassis, to a known good earth ground. Any leakage current must not exceed 0.5mA AC (r.m.s.).
 - Alternate check method
Plug the AC line cord directly into the AC outlet. Use an AC voltmeter having, 1,000 Ω per volt or more sensitivity in the following manner. Connect a 1,500 Ω 10W resistor paralleled by a 0.15 μ F AC-type capacitor between an exposed metal part and a known good earth ground. Measure the AC voltage across the resistor with the AC

voltmeter.

Move the resistor connection to each exposed metal part, particularly any exposed metal part having a return path to the chassis, and measure the AC voltage across the resistor. Now, reverse the plug in the AC outlet and repeat each measurement. Voltage measured any must not exceed 0.75 V AC (r.m.s.). This corresponds to 0.5 mA AC (r.m.s.).



1.2 Warning

- (1) This equipment has been designed and manufactured to meet international safety standards.
- (2) It is the legal responsibility of the repairer to ensure that these safety standards are maintained.
- (3) Repairs must be made in accordance with the relevant safety standards.
- (4) It is essential that safety critical components are replaced by approved parts.
- (5) If mains voltage selector is provided, check setting for local voltage.

1.3 Caution

Burrs formed during molding may be left over on some parts of the chassis.

Therefore, pay attention to such burrs in the case of pre-forming repair of this system.

1.4 Critical parts for safety

In regard with component parts appearing on the silk-screen printed side (parts side) of the PWB diagrams, the parts that are printed over with black such as the resistor (■), diode (■) and ICP (●) or identified by the " Δ " mark nearby are critical for safety. When replacing them, be sure to use the parts of the same type and rating as specified by the manufacturer. (This regulation does not Except the J and C version)

1.5 Preventing static electricity

Electrostatic discharge (ESD), which occurs when static electricity stored in the body, fabric, etc. is discharged, can destroy the laser diode in the traverse unit (optical pickup). Take care to prevent this when performing repairs.

1.5.1 Grounding to prevent damage by static electricity

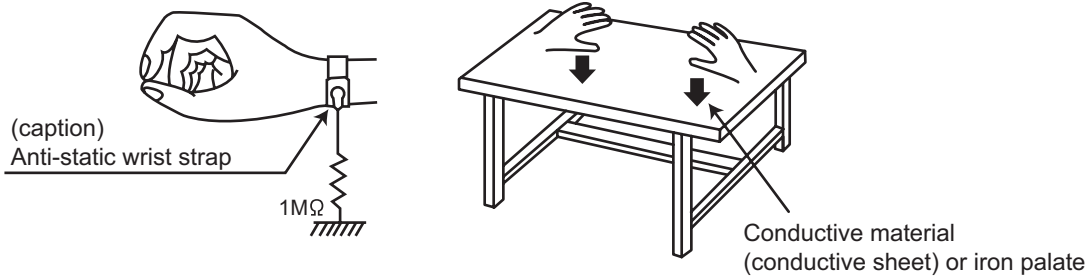
Static electricity in the work area can destroy the optical pickup (laser diode) in devices such as laser products. Be careful to use proper grounding in the area where repairs are being performed.

(1) Ground the workbench

Ground the workbench by laying conductive material (such as a conductive sheet) or an iron plate over it before placing the traverse unit (optical pickup) on it.

(2) Ground yourself

Use an anti-static wrist strap to release any static electricity built up in your body.



(3) Handling the optical pickup

- In order to maintain quality during transport and before installation, both sides of the laser diode on the replacement optical pickup are shorted. After replacement, return the shorted parts to their original condition. (Refer to the text.)
- Do not use a tester to check the condition of the laser diode in the optical pickup. The tester's internal power source can easily destroy the laser diode.

1.6 Handling the traverse unit (optical pickup)

(1) Do not subject the traverse unit (optical pickup) to strong shocks, as it is a sensitive, complex unit.

(2) Cut off the shorted part of the flexible cable using nippers, etc. after replacing the optical pickup. For specific details, refer to the replacement procedure in the text. Remove the anti-static pin when replacing the traverse unit. Be careful not to take too long a time when attaching it to the connector.

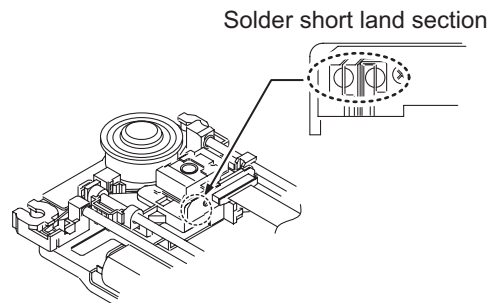
(3) Handle the flexible cable carefully as it may break when subjected to strong force.

(4) It is not possible to adjust the semi-fixed resistor that adjusts the laser power. Do not turn it.

1.7 Attention when traverse unit is decomposed

***Please refer to "Disassembly method" in the text for the pickup unit.**

- Apply solder to the short land sections before the card wire is disconnected from the connector on the servo board. (If the card wire is disconnected without applying solder, the pickup may be destroyed by static electricity.)
- In the assembly, be sure to remove solder from the short land sections after connecting the card wire.



1.8 Important for laser products

1. CLASS 1 LASER PRODUCT

2. CAUTION :

(For U.S.A.) Visible and/or invisible class II laser radiation when open. Do not stare into beam.

(Others) Visible and/or invisible class 1M laser radiation when open. Do not view directly with optical instruments.

3. CAUTION : Visible and/or invisible laser radiation when open and inter lock failed or defeated. Avoid direct exposure to beam.

4. CAUTION : This laser product uses visible and/or invisible laser radiation and is equipped with safety switches which prevent emission of radiation when the drawer is open and the safety interlocks have failed or are defeated. It is dangerous to defeat the safety switches.

(For U.S.A.)

CAUTION : Visible and/or invisible class II laser radiation when open. Do not stare into beam.

(Others)

CAUTION : Visible and/or invisible class 1M laser radiation when open. Do not view directly with optical instruments

ACHTUNG: Sichtbare und/oder unsichtbare Laserstrahlung der Klasse 1M bei offenen Abdeckungen. Nicht direkt mit optischen Instrumenten betrachten.

ATTENTION: Rayonnement laser visible et/ou invisible de classe 1M une fois ouvert. Ne pas regarder directement avec des instruments optiques.

VOORZICHTIG: Zichtbare en/of onzichtbare klasse 1M laserstralen indien geopend. Bekijk niet direct met optische instrumenten.

ATTENZIONE: Radiazione laser in classe 1M visibile e/o invisibile quando aperto. Non osservare direttamente con strumenti ottici.

WARNING: Synlig och/eller osynlig laserstrålning, klass 1M, när denna del är öppnad. Betrakta ej strålen med optiska instrument.

VARO! Avattaessa olet alttiina näkyvalle ja/tai näkymättömälle luokan 1M lasersäteilylle. Älä tarkastele sitä optisen laitteen läpi.

ADVARSEL: Synlig og/eller usynlig klasse 1M-laserstråling ved åbning. Se ikke direkte med optiske instrumenter.

AVISO: Radiación láser de clase 1M visible y/o invisible cuando está abierto. No mirar directamente con instrumental óptico.

PRECAUÇÃO: Radiação laser de classe 1M visível e/ou invisível quando aberto. Não olhe diretamente com instrumentos ópticos.

5. CAUTION : If safety switches malfunction, the laser is able to function.

6. CAUTION : Use of controls, adjustments or performance of procedures other than those specified here in may result in hazardous radiation exposure.



CAUTION Please use enough caution not to see the beam directly or touch it in case of an adjustment or operation check.

PRECAUÇÃO: Radiação laser de classe 1M visível e/ou invisível quando aberto. Não olhe diretamente com instrumentos ópticos.

ПРЕДУПРЕЖДЕНИЕ: В открытом состоянии происходит видимое и/или невидимое излучение лазера класса 1M. Не смотрите непосредственно в оптические инструменты.

UWAGA: Otwarcie spowoduje narażenie na widzialne i/lub niewidzialne promieniowanie lasera klasy 1M. Nie patrzeć bezpośrednio w przyrządy optyczne.

UPOZORNĚNÍ: Při otevření vydává viditelné popř. neviditelné laserové ozáření třídy 1M. Nedívejte se do otvoru přímo s optickými nástroji.

FIGYELMEZTETÉS: Látható és/vagy láthatatlan 1M osztályú sugárzás nyitott állapotban. Ne nézze közvetlenül optikai műszerekkel.

注意：打開蓋板可能會產生可見或不可見的 1M 級鐳射。不要使用光學儀器直接進行窺視。

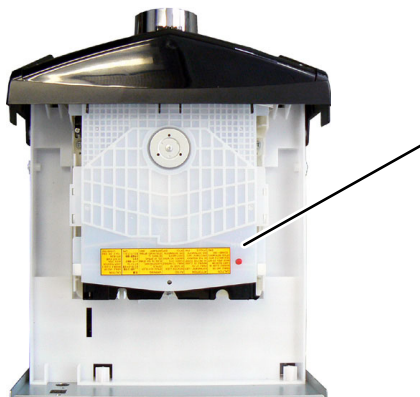
注意：打开盖板可能会产生可见或不可见的 1M 级辐射。不要使用光学仪器直接进行窥视。

تنبيه: يوجد إشعاع ليزري مرئي و/أو غير مرئي من الفئة 1M عندما يكون الجهاز مفتوحاً. تجنب النظر مباشرة داخل الجهاز باستخدام أدوات بصرية.

احتياط: هنگامی که باز گردد، تشعشع مرئی و یا نامرئی کلاس 1M لیزر وجود دارد. با لوازم چشمی مستقیماً به آن نگاه نکنید.

주의: 개방하면 가지 및/또는 비가시 클래스 1M 레이저 방사선이 나옵니다. 광학 기구로 직접 들여다보지 마십시오.

REPRODUCTION AND POSITION OF LABELS and PRINT WARNING LABEL and PRINT



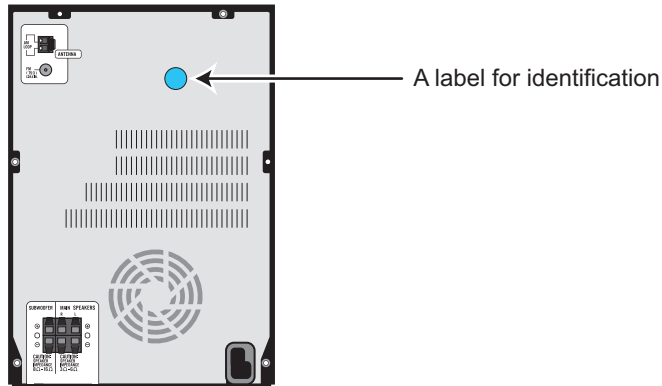
| | | | | | |
|--|--|---|---|---|--|
| CAUTION VISIBLE AND/OR INVISIBLE CLASS 1M LASER RADIATION WHEN OPEN. DO NOT VIEW DIRECTLY WITH OPTICAL INSTRUMENTS. IEC80025-1:2001 (ENG) | ATTENTION RAYONNEMENT LASER VISIBLE ET/OU INVISIBLE DE CLASSE 1M UNE FOIS OUVERT. NE PAS REGARDER DIRECTEMENT AVEC DES INSTRUMENTS OPTIQUES. (FRA) | AVISO RADIACIÓN LÁSER DE CLASE 1M VISIBLE Y/O INVISIBLE CUANDO ESTA ABIERTO. NO MIRAR DIRECTAMENTE CON INSTRUMENTAL ÓPTICO. (ESP) | WARNING SYNLIG OCH/ELLER OSYNLIG LASERSTRÅLNING, KLASS 1M, NÄR DENNA DEL ÄR ÖPPNAD. BETRAKTA EJ STRÅLEN MED OPTISKA INSTRUMENT. (SWE) | 注意 ここに書くと可視 及び/または不可視 のクラス 1M レーザー放射が 出ます。 光学顕微鏡で直接 覗かないでください。 (JPN) | CAUTION VISIBLE AND/OR INVISIBLE CLASS I LASER RADIATION WHEN OPEN. DO NOT STARE INTO BEAM. FDA 21 CFR (ENG) LV44003-003A |
|--|--|---|---|---|--|

SECTION 2 SPECIFIC SERVICE INSTRUCTIONS

New CD mechanism was added.

In a model using new CD mechanism for, it stick a blue label for identification on the back side.

When it repair the CD mechanism of an article sticking this label on, please use a parts list of FMU-VK1-2M.



SECTION 3 DISASSEMBLY

3.1 Main body (Used figure are MX-KC68J)

3.1.1 Removing the Metal cover (See Fig.1, 2)

- (1) Remove the six screws **A** attaching the Metal cover. (See Fig.1)
- (2) Remove the four screws **B** attaching the both side of the Metal cover. (See Fig.2)

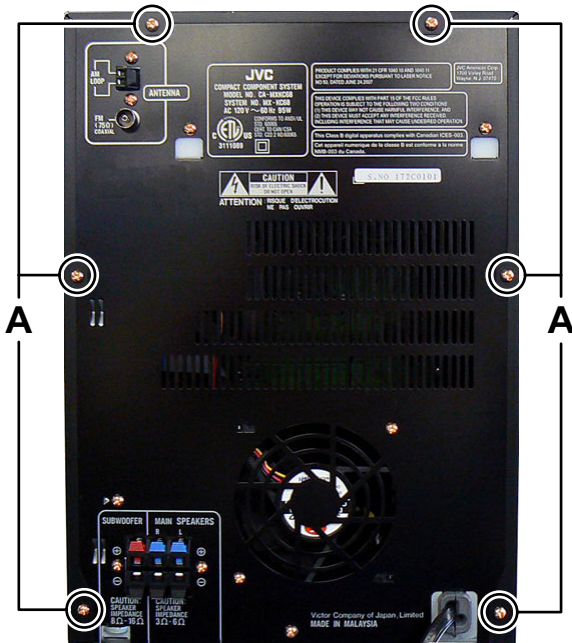


Fig.1

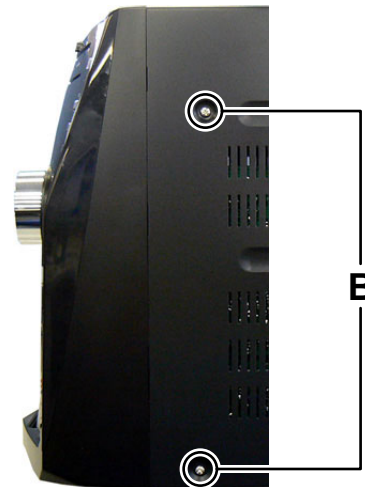
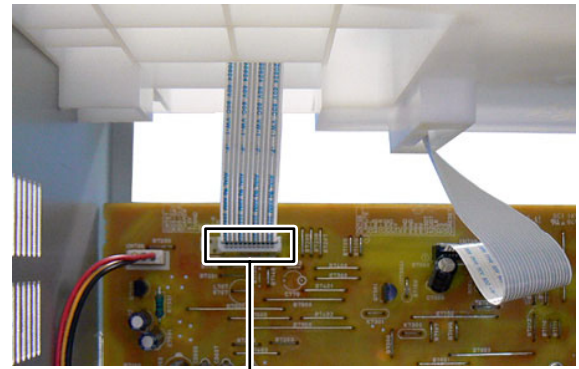


Fig.2

3.1.2 Removing the Tuner pack (See Fig.3, 4)

- (1) Disconnect the card wire from Tuner pack connected to connector [CN707](#) of the Micom board. (See Fig.3)
- (2) Remove the two screws **C** attaching the Tuner pack. (See Fig.4)



CN707
Fig.3

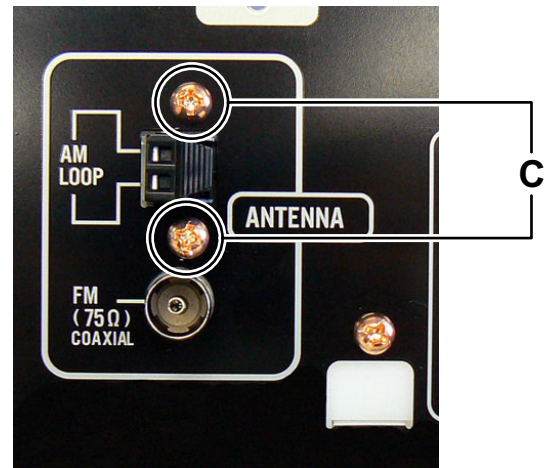
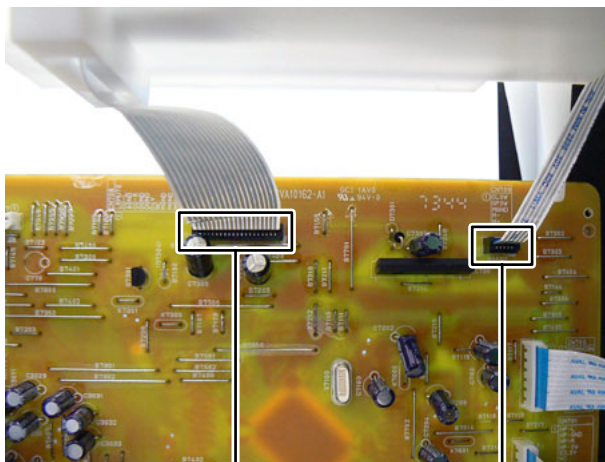


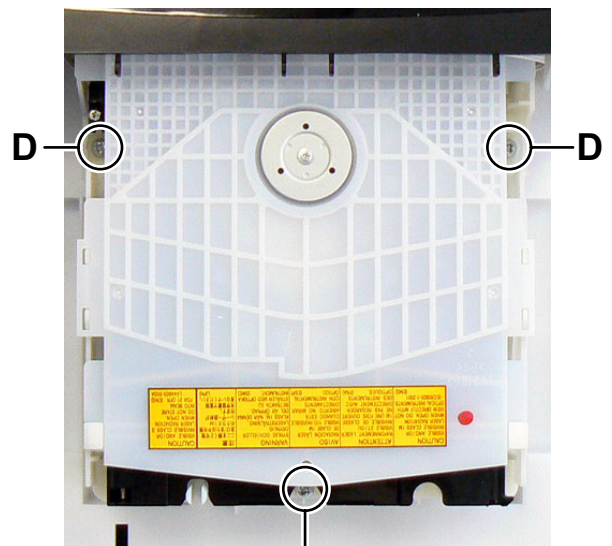
Fig.4

3.1.3 Removing the CD mechanism (See Fig.5, 6)

- (1) Disconnect the card wire from CD mechanism connected to connector [CN708](#) of the Micom board. (See Fig.5)
- (2) Disconnect the card wire from Loader board connected to connector [CN709](#) of the Micom board. (See fig.5)
- (3) Remove the three screws **D** attaching the CD mechanism. (See Fig.6)



CN708
CN709
Fig.5



D
Fig.6

3.1.4 Removing the CD chassis (See Fig.7, 8)

- (1) Remove the two screws **E** attaching the both side of the Front panel. (See Fig.7)
- (2) Remove the two screws **F** attaching the CD chassis. (See Fig.8)

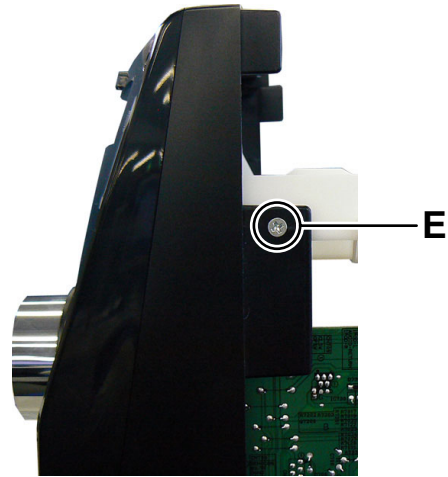


Fig.7

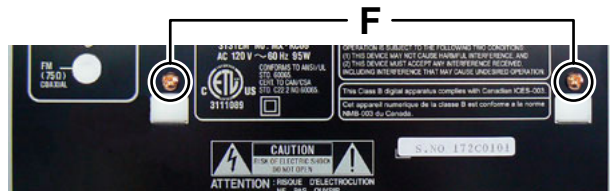


Fig.8

3.1.5 Removing the Front panel (See Fig.9 to 11)

- (1) Disconnect the card wire from FL board connected to connector [CN700](#) of the Micom board. (See Fig.9)
- (2) Disconnect the card wire from Volume board connected to connector [CN701](#) of the Micom board. (See Fig.9)
- (3) Disconnect the connector wire from iPod jack board connected to connector [CN702](#) of the Micom board. (See Fig.9)
- (4) Disconnect the flat cable wire from Audio input board connected to connector [CN705](#) of the Micom board. (See Fig.9)
- (5) Remove the three screws **G** attaching the Front panel. (See Fig.10)
- (6) Disengage two hooks **a** engaged both side of the Front panel. (See Fig.11)

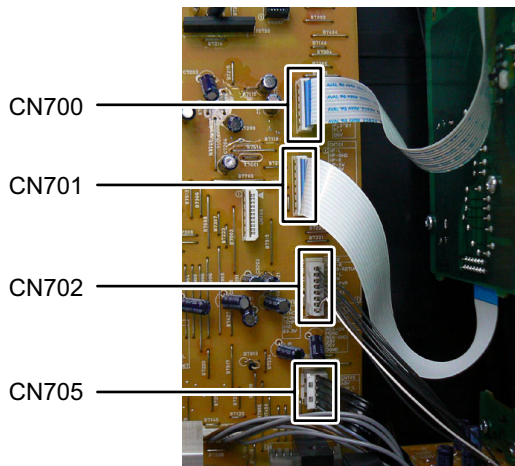


Fig.9

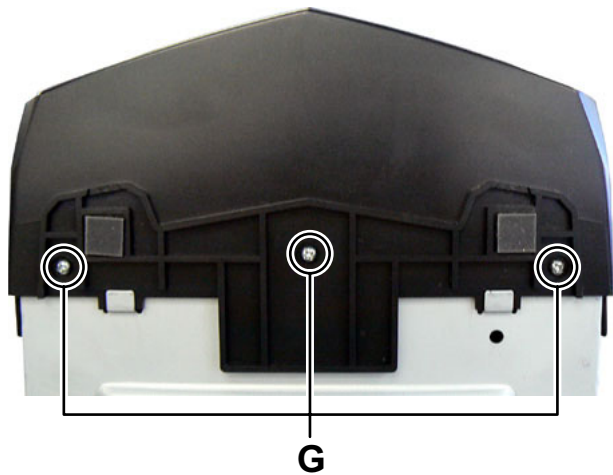


Fig.10

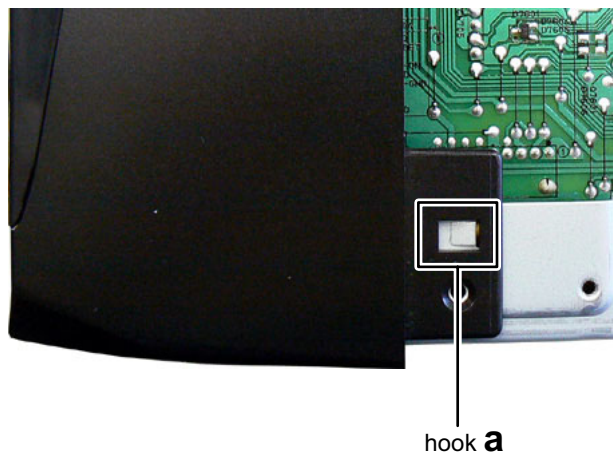


Fig.11

3.1.6 Removing the Rear panel (See Fig.12, 13)

- (1) Disconnect the connector wire from Fan connected to connector **CN706** of the Micom board. (See Fig.12)
- (2) Remove the four screws **H** attaching the Rear panel. (See Fig.13)

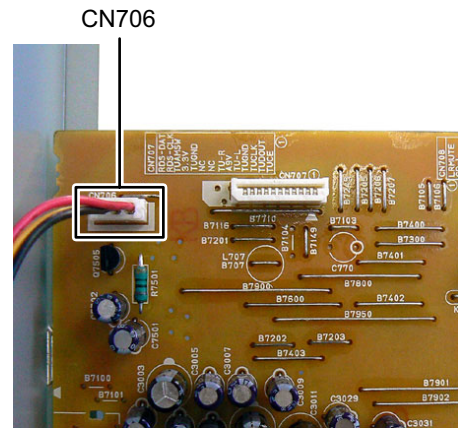


Fig.12

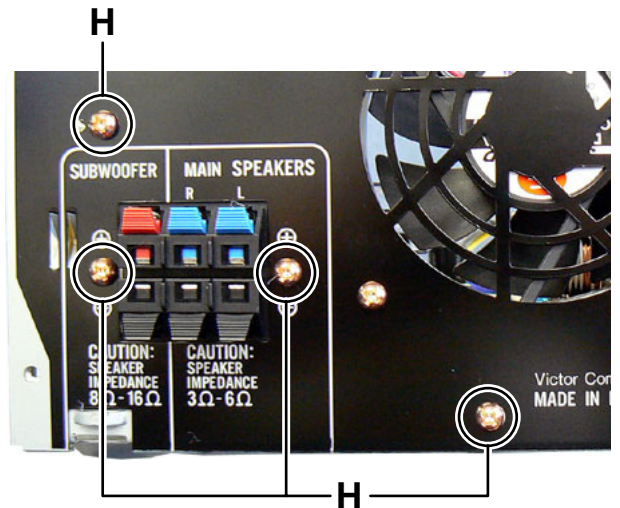


Fig.13

3.1.7 Removing the Micom board (See Fig.14, 15)

- (1) Remove the one screw **J** attaching the Micom board. (See Fig.14)
- (2) Disconnect the connector wire from Micom board connected to connector **CN3** of the Power supply unit. (See Fig.15)
- (3) Disconnect the board to board connectors connected to connectors **CN501** and **CN502** of the Power amp board. (See Fig.15)

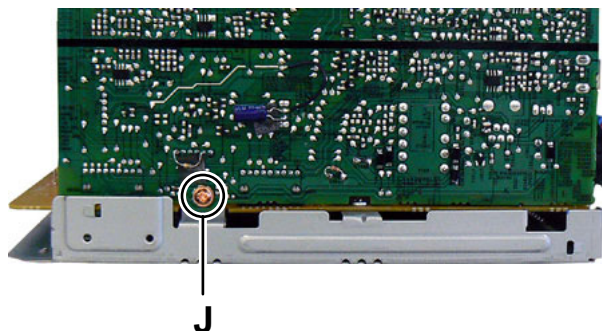


Fig.14

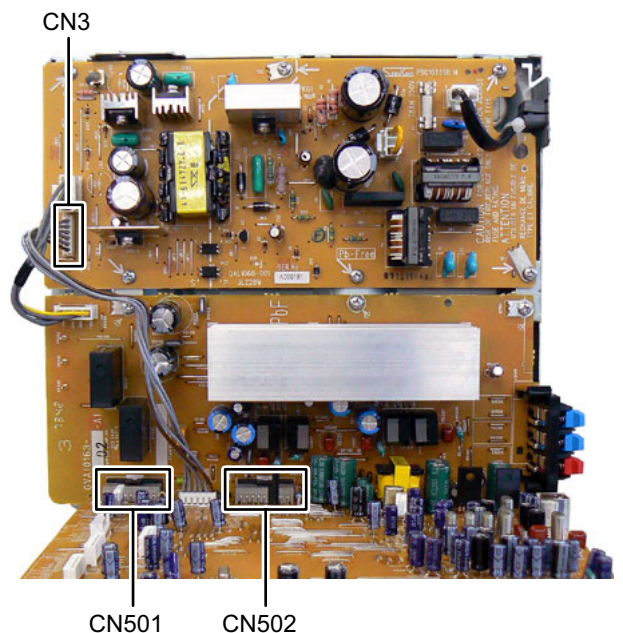


Fig.15

3.1.8 Removing the Power supply unit (See Fig.16)

- (1) Disconnect the Power cord connected to connector [CN1](#) of the Power supply unit.
- (2) Disconnect the connector wire from Power amp board connected to connector [CN2](#) of the Power supply unit.
- (3) Remove the six screws **K** attaching the Power supply unit.

3.1.9 Removing the Power amp board (See Fig.16)

- (1) Remove the four screws **L** attaching the Power amp board.

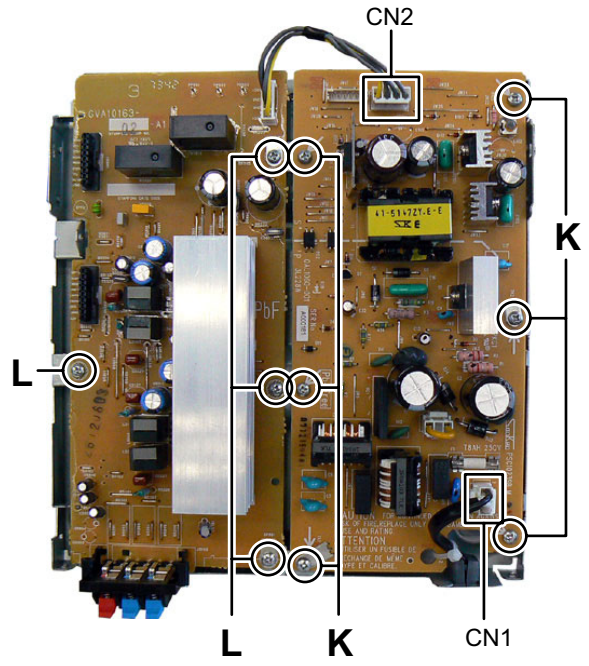


Fig.16

3.1.10 Removing the FL board (See Fig.17)

- (1) Remove the four screws **M** attaching the FL board.

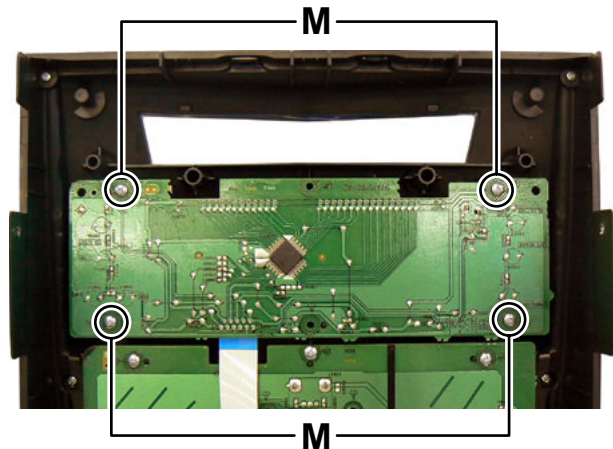


Fig.17

3.1.11 Removing the Volume board (See Fig.18)

- (1) Remove the volume knob.
- (2) Disconnect the flat cable wire connected to connector [CN951](#) of the Headphone jack board.
- (3) Remove the seven screws **N** attaching the Volume board.

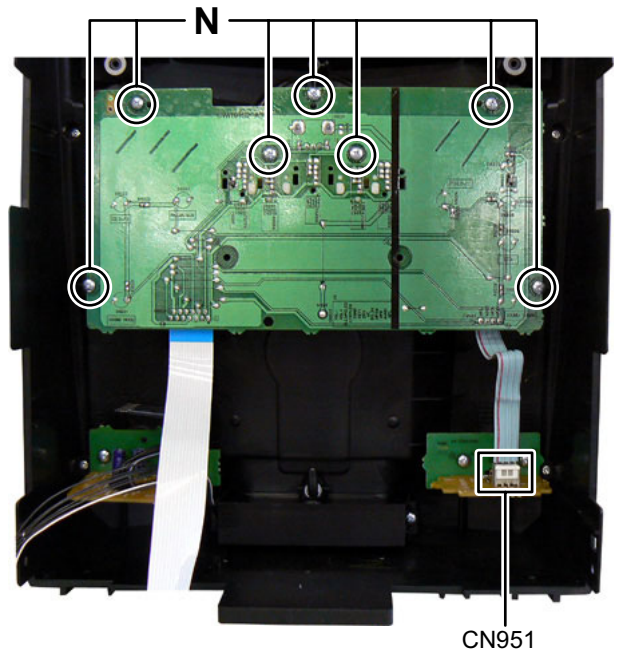


Fig.18

3.1.12 Removing the Audio input board (See Fig.19)

- (1) Remove the two screws **P** attaching the Audio input board.

3.1.13 Removing the Headphone jack board (See Fig.19)

- (1) Remove the two screws **Q** attaching the Headphone jack board.

3.1.14 Removing the iPod jack board (See Fig.19, 20)

- (1) Remove the three screws **R** attaching the iPod holder. (See Fig.20)
- (2) Remove the three screws **S** attaching the iPod jack board. (See Fig.20)

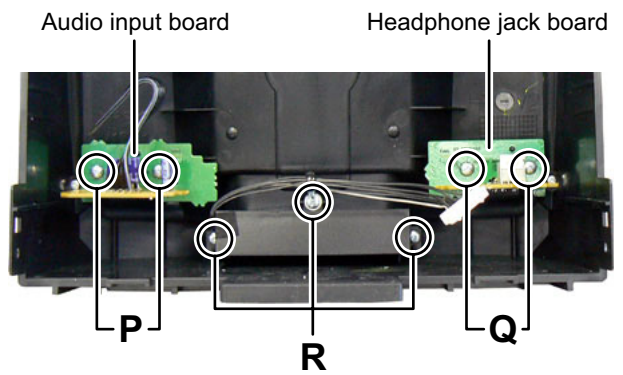


Fig.19

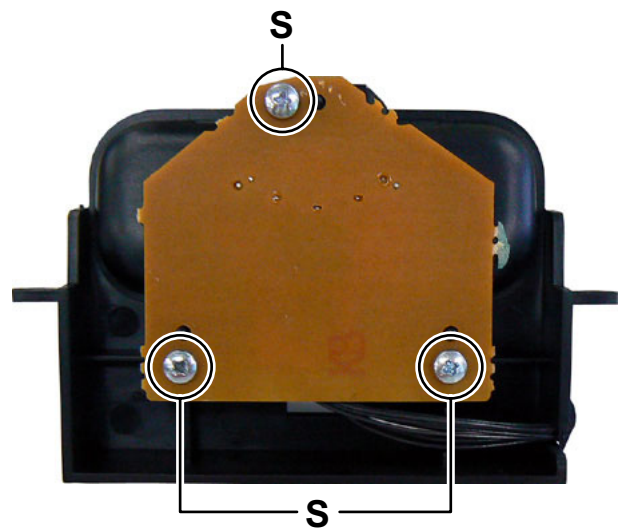


Fig.20

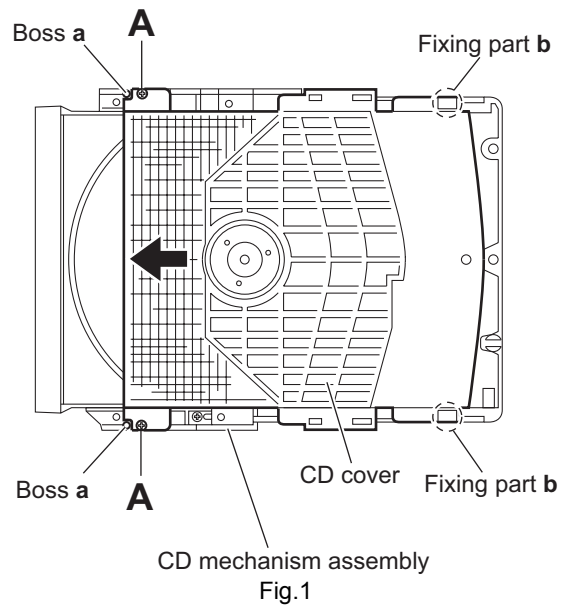
3.2 CD mechanism assembly

- Remove the CD mechanism assembly from main body.

3.2.1 Removing the CD cover

(See Fig.1)

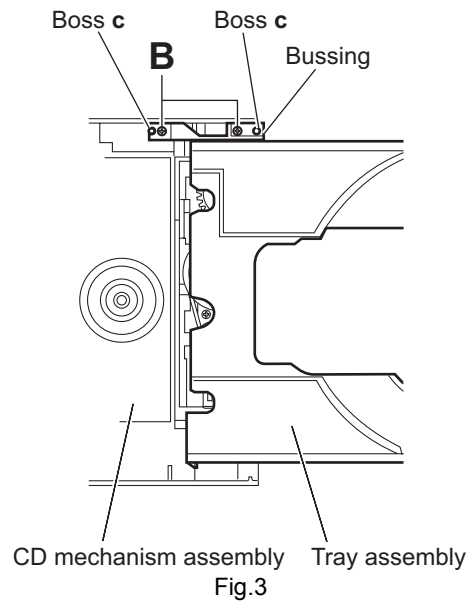
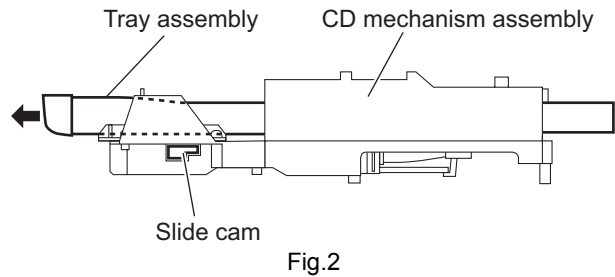
- (1) Remove the two screws **A** attaching the CD cover from bottom side of CD mechanism assembly.
- (2) Lift up the CD cover from disengage boss **a** of the CD mechanism assembly.
- (3) Slide the CD cover to direction of the arrow and remove the CD cover from fixing part of **b**.
- (4) Remove the CD cover.



3.2.2 Removing the tray assembly

(See Fig.2 and 3)

- Remove the CD cover.
- (1) Press slide cam and pull out the tray assembly to direction of the arrow from right side of CD mechanism assembly. (See Fig.2)
 - (2) Remove the two screws **B** attaching the tray assembly from upper side of CD mechanism. (See Fig.3)
 - (3) Remove the bussing of the tray assembly from boss **c** of the CD mechanism assembly and remove the tray assembly. (See Fig.3)

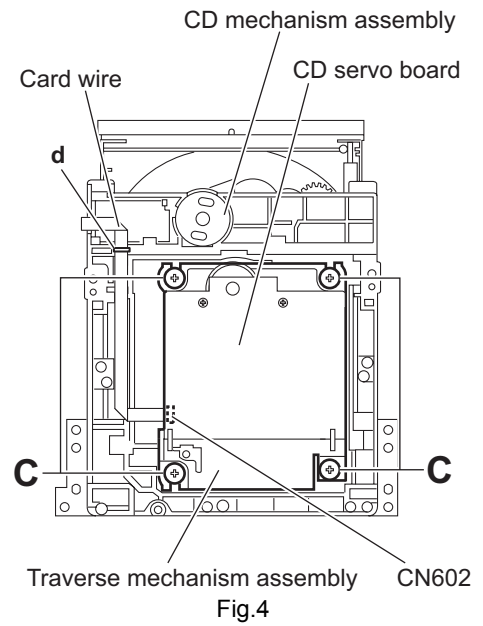


3.2.3 Removing the traverse mechanism assembly (See Fig.4)

- (1) Remove the four screws **C** attaching the traverse mechanism assembly from bottom side of CD mechanism assembly.
- (2) Disconnect the card wire from connector **CN602** of the CD servo board and then take out the traverse mechanism assembly and CD servo board together.

Reference:

When reattaching the traverse mechanism assembly, the card wire should through the part **d**.

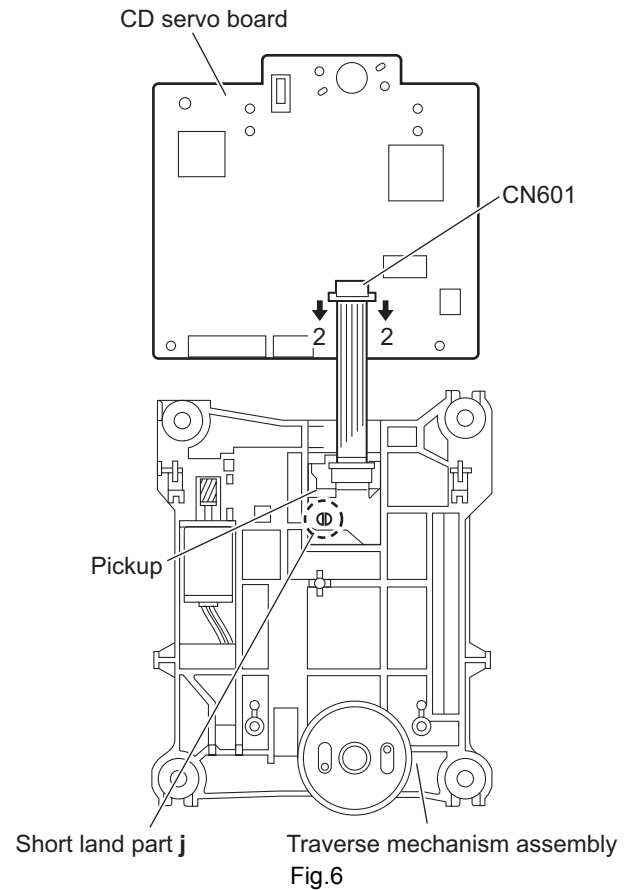
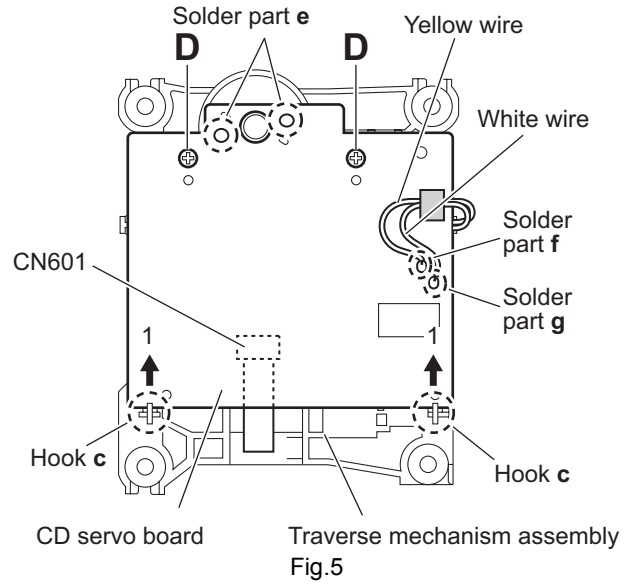


3.2.4 Removing the CD servo board (See Fig.5 and 6)

- Remove the traverse mechanism assembly.
 - Remove the two screws **D** attaching the CD servo board from bottom side of traverse mechanism assembly. (See Fig.5)
 - Remove the solder from solder part **e** of the CD servo board. (See Fig.5)
 - Remove the yellow wire from solder part **f** of the CD servo board. (See Fig.5)
 - Remove the white wire from solder part **g** of the CD servo board. (See Fig.5)
 - Remove the CD servo board to upper side, disengage the hook **c** to direction of the arrow 1 then turn over the CD servo board. (See Fig.5)
 - Solder to short land part **j** of pickup. (See Fig.6)
 - Release the lock of connector **CN601** to direction of the arrow 2 and disengage the card wire. (See Fig.6)

Caution:

- Solder to short land part **j** of the pickup then disconnect the card wire from connector **CN601** of the CD servo board. If disconnect the card wire before soldering, pickup is make sure destroyed by static electricity. (See Fig.6)
- When reattaching the CD servo board, connect the card wire to connector **CN601** and then remove the solder of short land part **j** of the pickup.



3.2.5 Removing the pickup (See Fig.7 to 9)

- Remove the traverse mechanism assembly.
 - (1) Remove the one screw **E** attaching the plate from upper side of traverse mechanism assembly. (See Fig.7)
 - (2) Remove the plate from fixing part **k** then take out the plate. (See Fig.7)
 - (3) Remove the two screws **F** attaching the LEAD spring and then take out the LEAD spring. (See Fig.8)
 - (4) Take out the feed gear, and then remove the shaft of pickup from part **m** of the traverse mechanism assembly. (See Fig.8)
 - (5) Remove the pickup from part **n** of the traverse mechanism assembly and then take out pickup with shaft. (See Fig.8)
 - (6) Release the shaft from pickup. (See Fig.8)
 - (7) Solder the short land part **p** of the pickup. (See Fig.9)
 - (8) Release the lock of the connector to direction of the arrow, and then disconnect the card wire. (See Fig.9)

Caution:

- Solder to short land part **p** of the pickup then disconnect the card wire from connector. If disconnect the card wire before soldering, pickup is make sure destroyed by static electricity. (See Fig.9)
- When reattaching the pickup, connect the card wire to connector and then remove the solder from short land part **p**. (See Fig.9)

3.2.6 Attaching the pickup (See Fig.7 to 10)

- Please refer the "Removing the pickup".
 - (1) Connect the card wire to connector of pickup, and then remove the solder from short land part **p** of the pickup. (See Fig.9)
 - (2) Attach the shaft to pickup. (See Fig.8)
 - (3) Fit the pickup to part **n** of the traverse mechanism and then attach the end of the shaft to part **k**. (See Fig.8)
 - (4) Attach the LEAD spring and feed gear. (See Fig.8)
 - (5) Attach the plate. (See Fig. 7)
 - (6) One turn the LEAD gear to direction of the arrow 1 and fully shift to direction of the arrow 2. (See Fig.10)

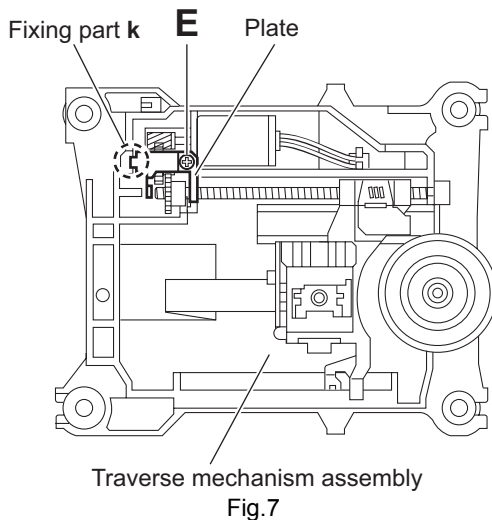


Fig.7

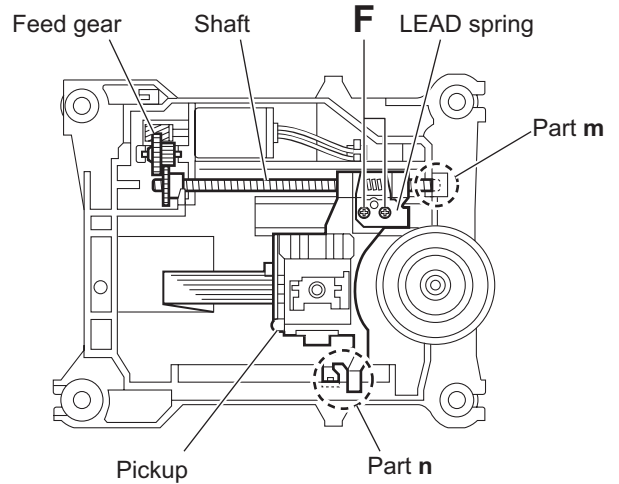


Fig.8

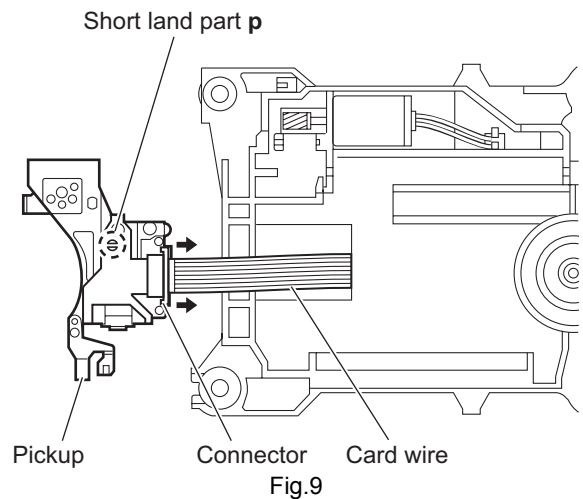


Fig.9

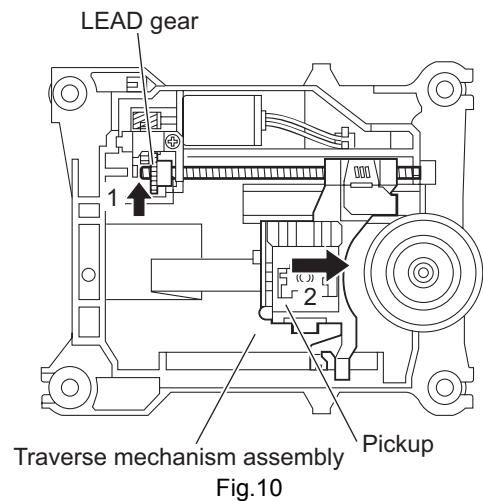


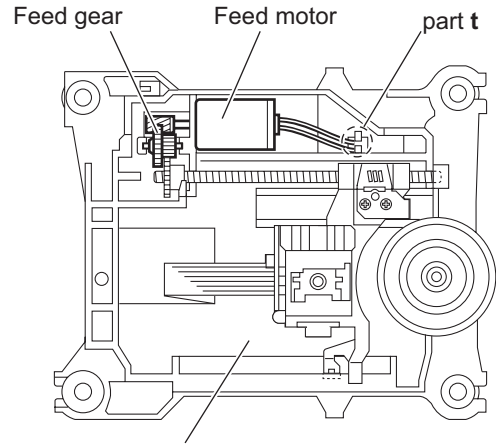
Fig.10

3.2.7 Removing the feed motor (See Fig.11 to 13)

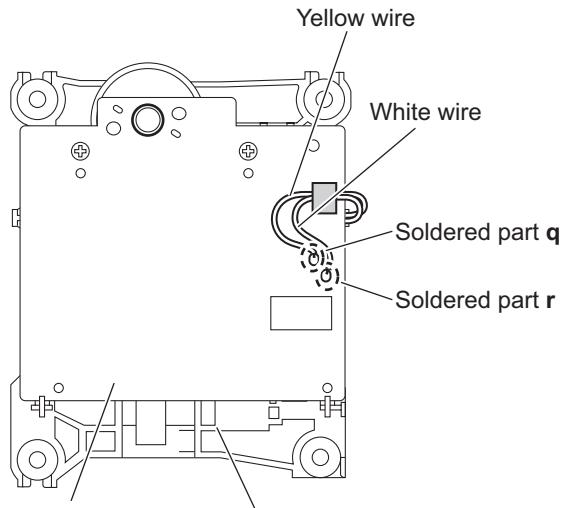
- Remove the traverse mechanism.
 - (1) Remove the yellow wire from solder part **q** of the CD servo board from upper side of traverse mechanism. (See Fig.11)
 - (2) Remove the white wire from solder part **r** of the CD servo board. (See Fig.11)
 - (3) Remove the one screw **G** attaching the plate. (See Fig.12)
 - (4) Disengage the plate from fixing part **s** and take out the plate. (See Fig.12)
 - (5) Remove the feed gear and take out the feed motor. (See Fig.13)

Reference:

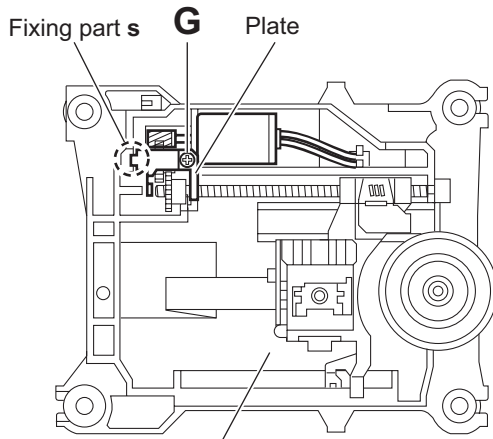
When attaching the feed motor, the wire has to through the part **t** of the traverse mechanism assembly. (See Fig.13)



Traverse mechanism assembly
Fig.13



CD servo board Traverse mechanism assembly
Fig.11



Traverse mechanism assembly
Fig.12

3.2.8 Removing the switch board (See Fig.14)

- (1) Disconnect the card wire from **CN1** of the switch board from bottom side of CD mechanism assembly.
- (2) Remove the wire from solder part **u** of the switch board.
- (3) Remove the one screw **H** attaching the switch board to CD mechanism assembly.
- (4) Lift up the switch board by pushing the hook **v** of CD mechanism assembly and take out it from part **w**.

Reference:

- After attach the switch board to CD mechanism assembly, wire hooked to part **x**.
- Hook **u** of the CD mechanism assembly, it have to bond lock.

3.2.9 Removing the motor (See Fig.14 and 15)

- Remove the tray assembly.
 - (1) Remove the wire from solder part **u** of the switch board from bottom side of CD mechanism assembly.
 - (2) Remove the belt of motor pulley from upper side of CD mechanism assembly. (See Fig.15)

Caution:

Belt should not apply grease.

- (3) Remove the two screws **J** attaching the motor to CD mechanism assembly and take out the motor from bottom side of CD mechanism assembly. (See Fig.15)

Reference:

After motor attached to CD mechanism assembly, wire should hook to part **w**. (See Fig.14)

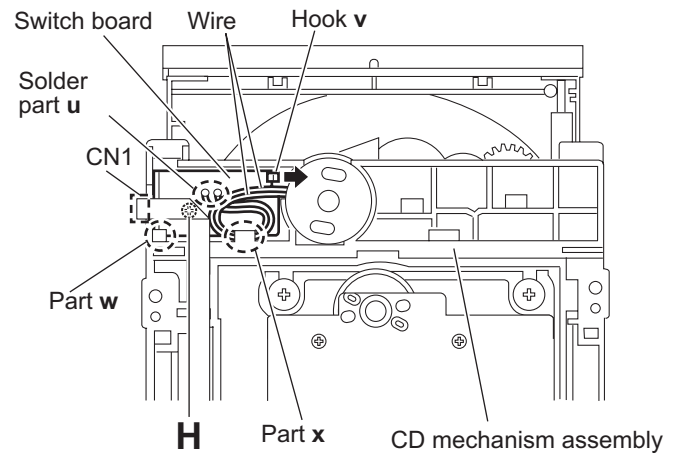


Fig.14

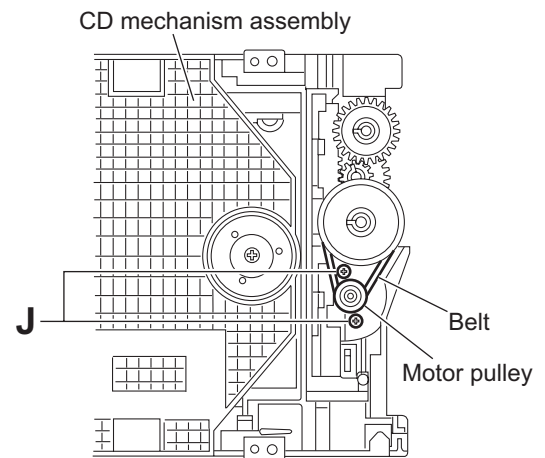
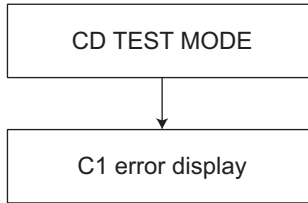


Fig.15

SECTION 4 ADJUSTMENT

4.1 Outline



4.2 How to go CD TEST MODE

[SET] + [POWER] + AC in

4.3 Function specification

| Function | Key | Operation | FL display | | | | | | |
|------------------------|--------|-----------|------------|---|---|---|---|---|---|
| CD TEST MODE | | | C | D | T | E | S | T | T |
| C1 error display | 8 | Remocon | I | N | I | T | I | A | L |
| C1 error display | | Remocon | E | r | * | * | * | * | * |
| Return to CD TEST MODE | CANCEL | Remocon | C | D | T | E | S | T | T |

After receive data

4.4 C1 error history

When 8 key is pressed, syscon send C1 err display command (0x9C 0x01 0x00).
 If syscon receive C1 error display status (0xAA 0x01 0x00 ** **), it displays C1 error.
 Syscon convert 2byte hex data to decimal data (00000-65635).

4.5 Special mode

[STOP] + [POWER] + [0] : COLD SET
 [STOP] + [POWER] + [1] : FL DISPLAY turn on all segment
 [STOP] + [POWER] + [10] :Micom version display (Mecha version, Destination, Syscon version)
 Exsample In case of " 2501 JC241"
 Mecha version: 25
 ROM corr: 1
 Destination: JC
 Syscon version: 24
 Syscon corr: 1

SECTION 5 TROUBLESHOOTING

This service manual does not describe TROUBLESHOOTING.



JVC

Victor Company of Japan, Limited
Audio/Video Systems category 10-1,1chome,Ohwatari-machi,Maebashi-city,371-8543,Japan

(No.MB664<Rev.002>)

Printed in Japan
VPT

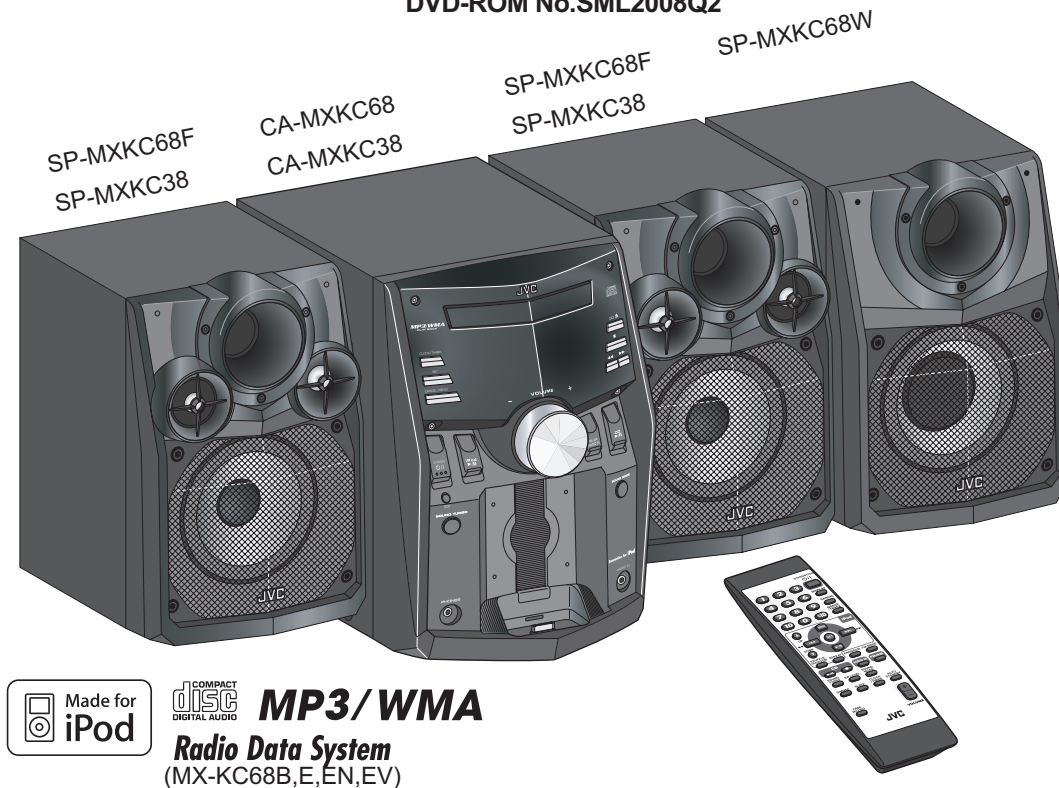
JVC

SCHEMATIC DIAGRAMS

COMPACT COMPONENT SYSTEM

**MX-KC68J, MX-KC68C, MX-KC68B,
MX-KC68E, MX-KC68EN, MX-KC68EV,
MX-KC68A, MX-KC68UJ, MX-KC68UW,
MX-KC38J, MX-KC38C**

DVD-ROM No.SML2008Q2



Lead free solder used in the board (material : Sn-Ag-Cu, melting point : 219 Centigrade)

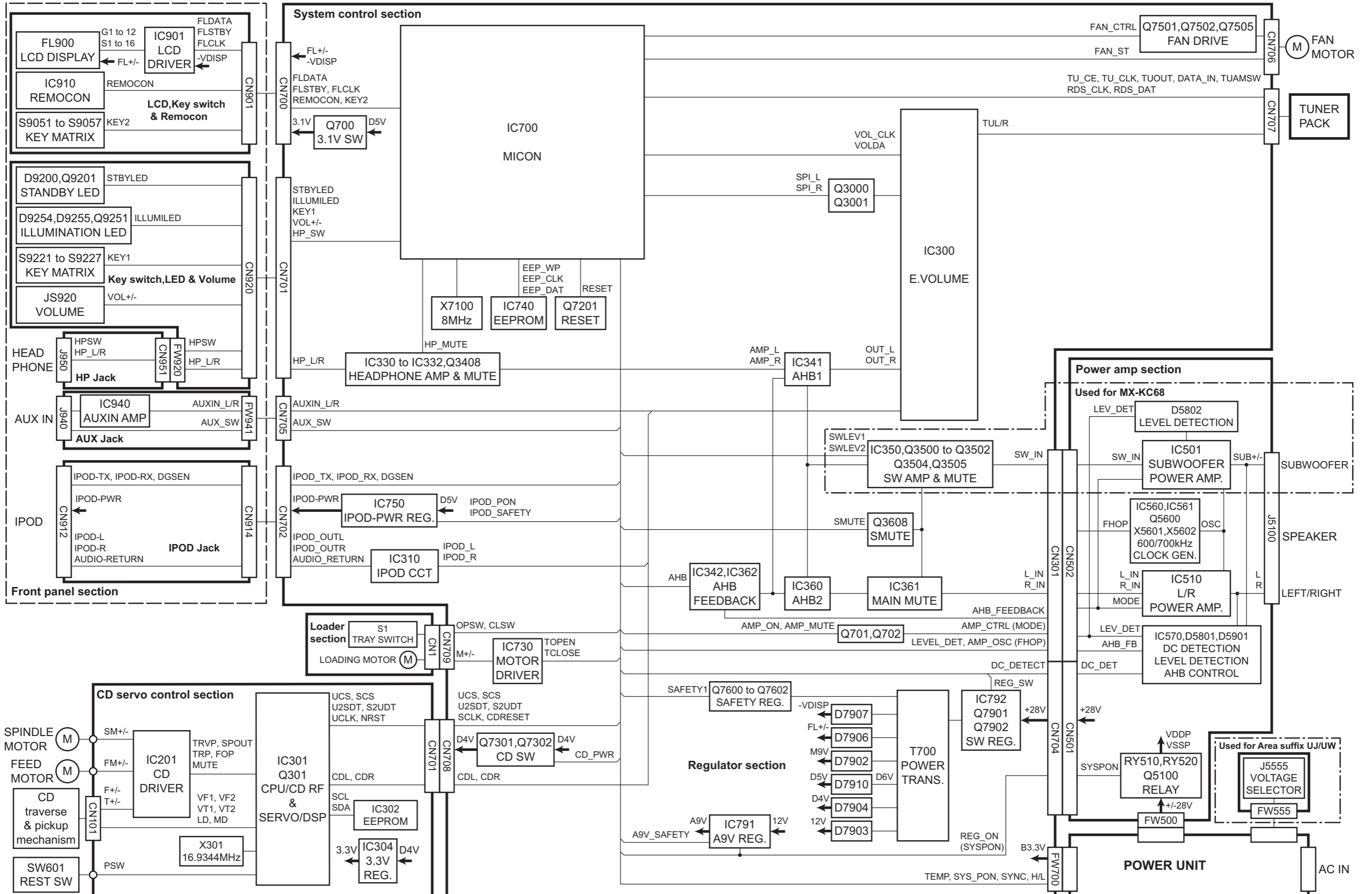
Lead free solder used in the board (material : Sn-Cu, melting point : 230 Centigrade)

Contents

| | |
|-----------------------------------|-----------|
| Block diagrams | 2-1 |
| Standard schematic diagrams | 2-2 |
| Printed circuit boards | 2-8 to 10 |

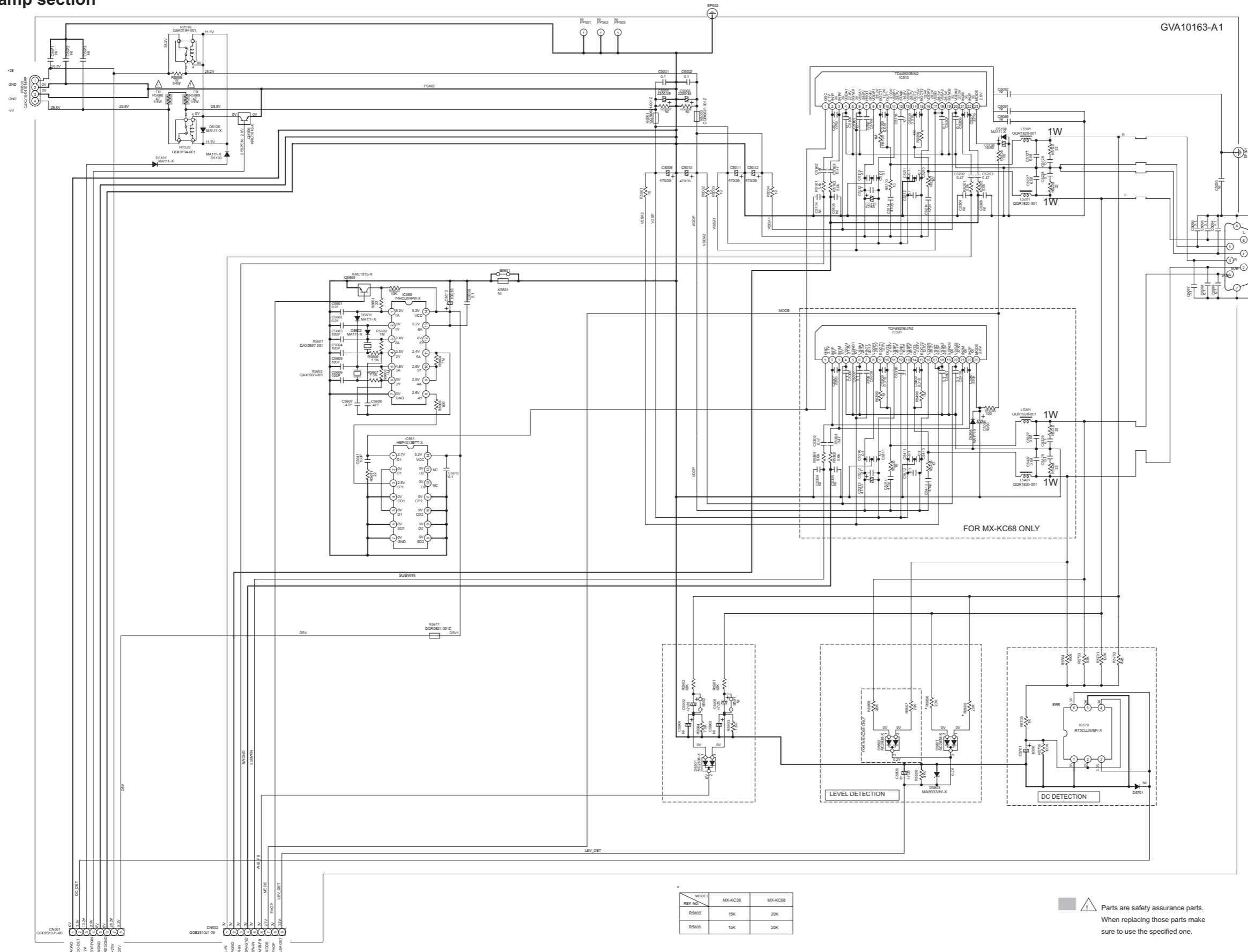
In regard with component parts appearing on the silk-screen printed side (parts side) of the PWB diagrams, the parts that are printed over with black such as the resistor (■), diode (▣) and ICP (●) or identified by the "▲" mark nearby are critical for safety.

Block diagram



Standard schematic diagrams

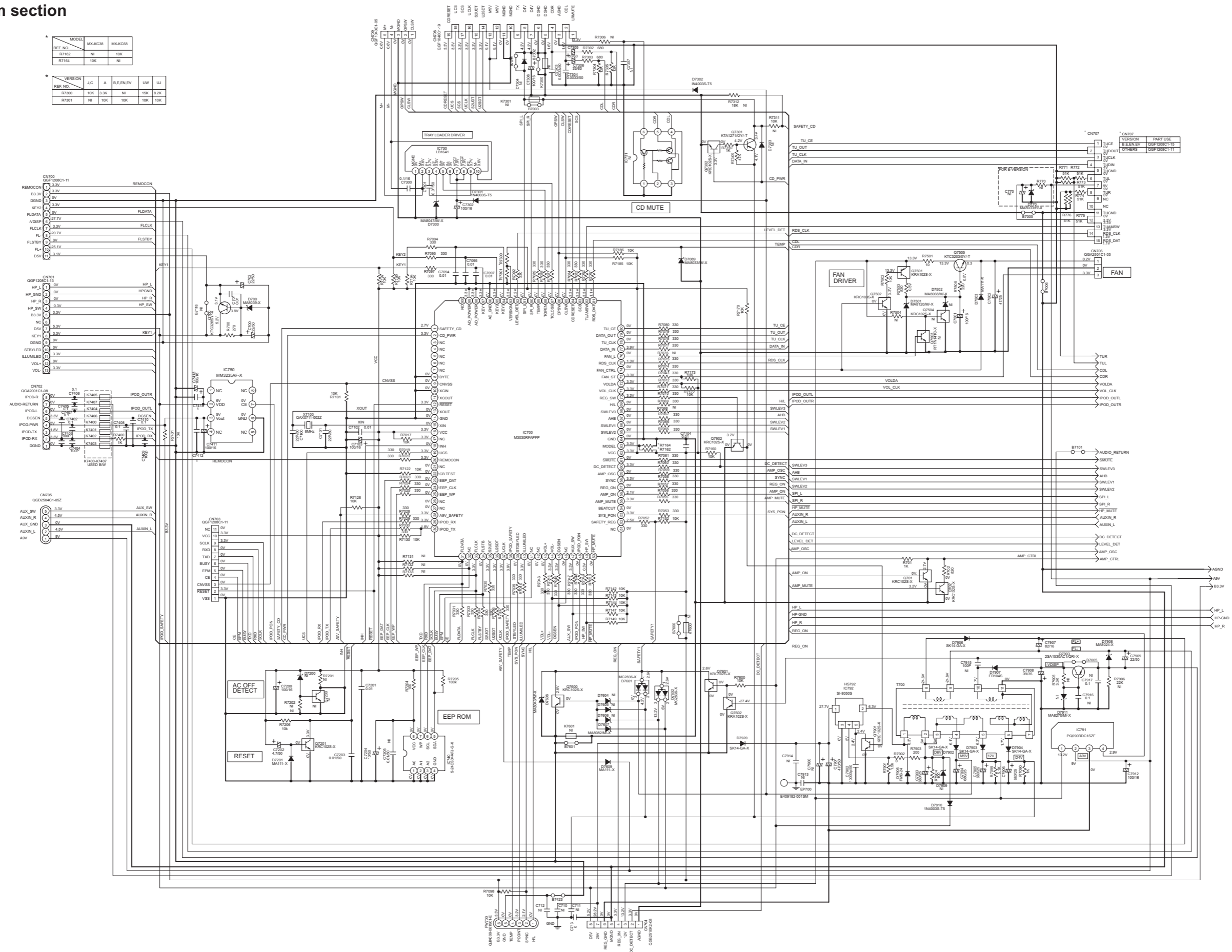
■ Pre-amp section



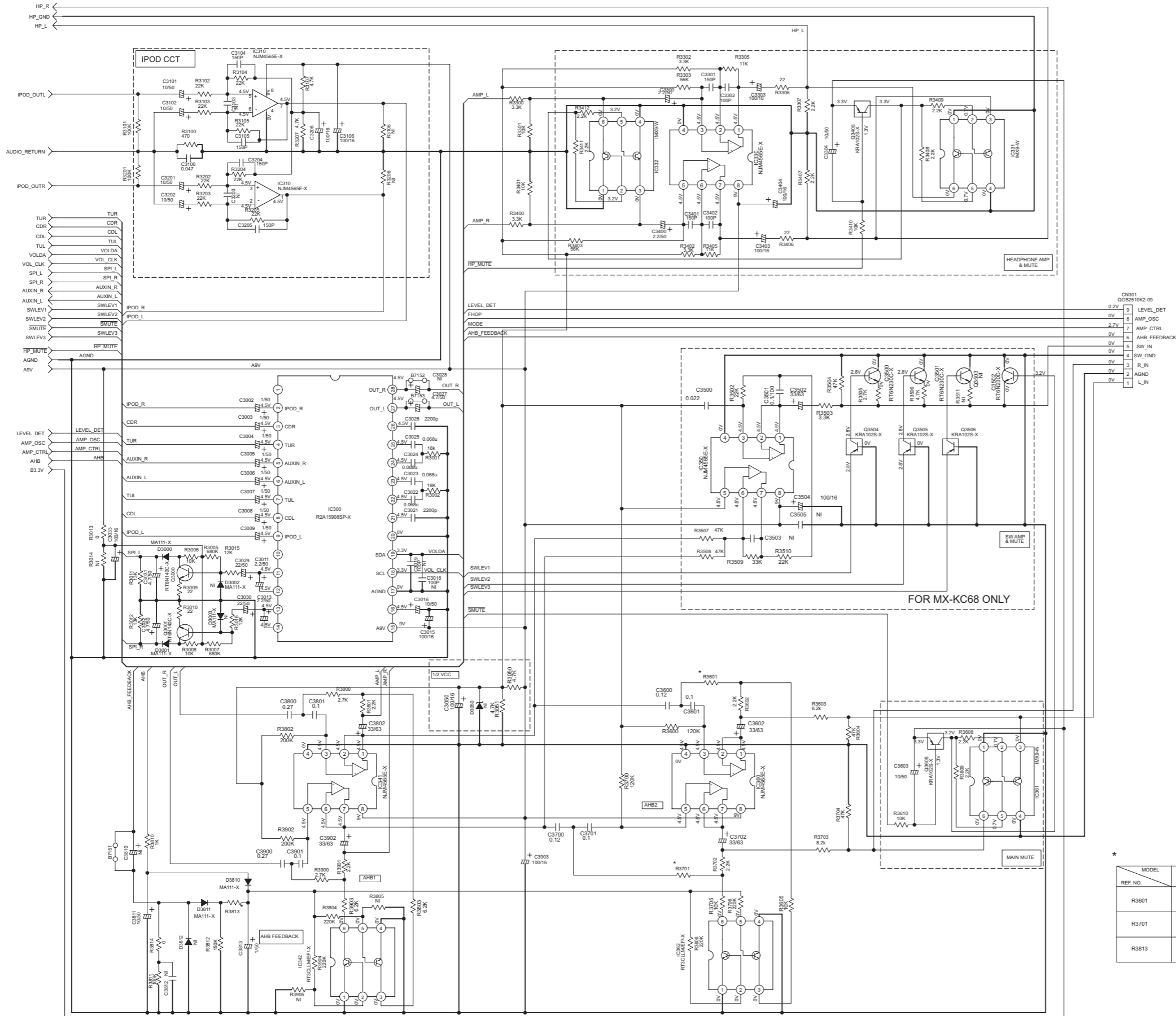
■ Micom section

| MODEL | MX-KCR | MX-KCRB |
|----------|--------|---------|
| REF. NO. | NI | 10K |
| R7164 | NI | NI |

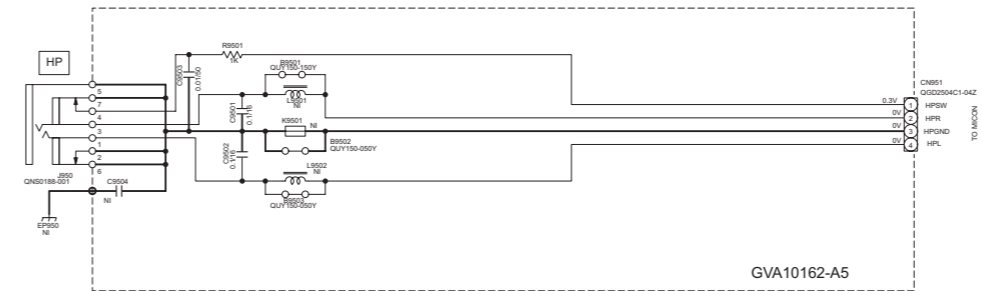
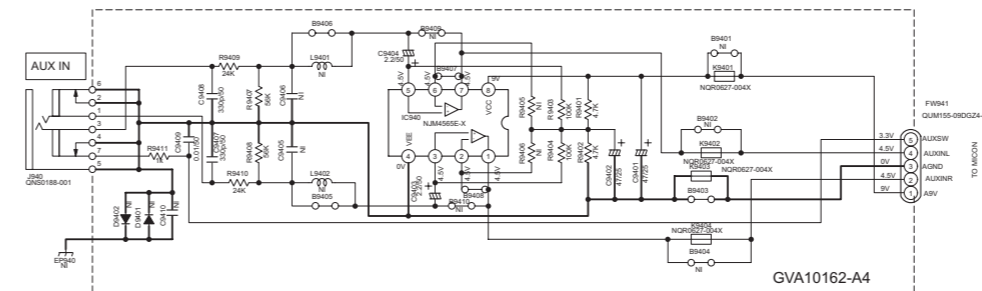
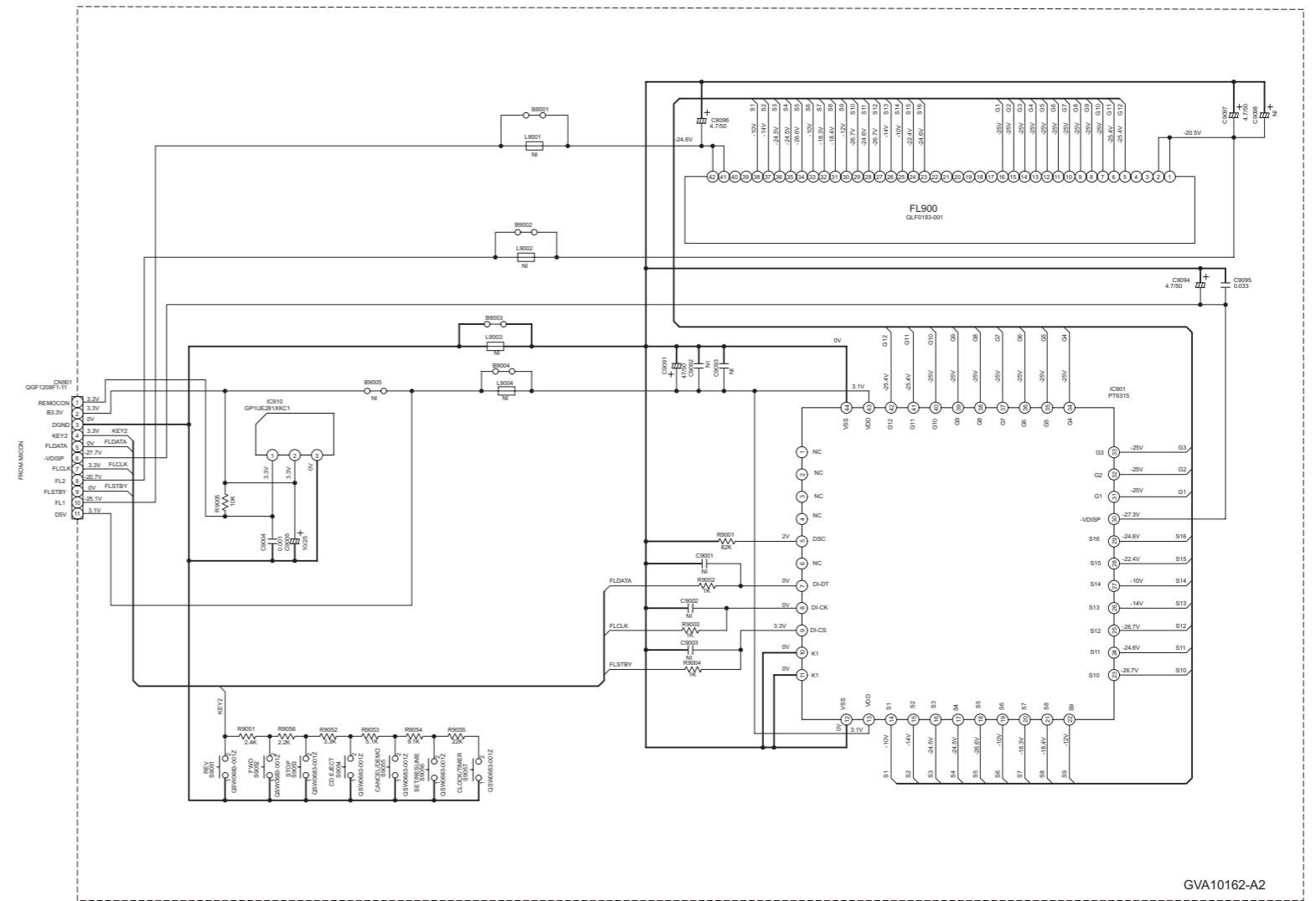
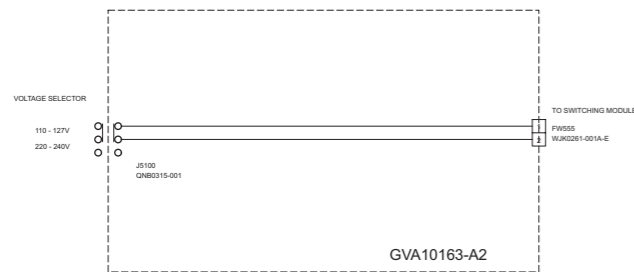
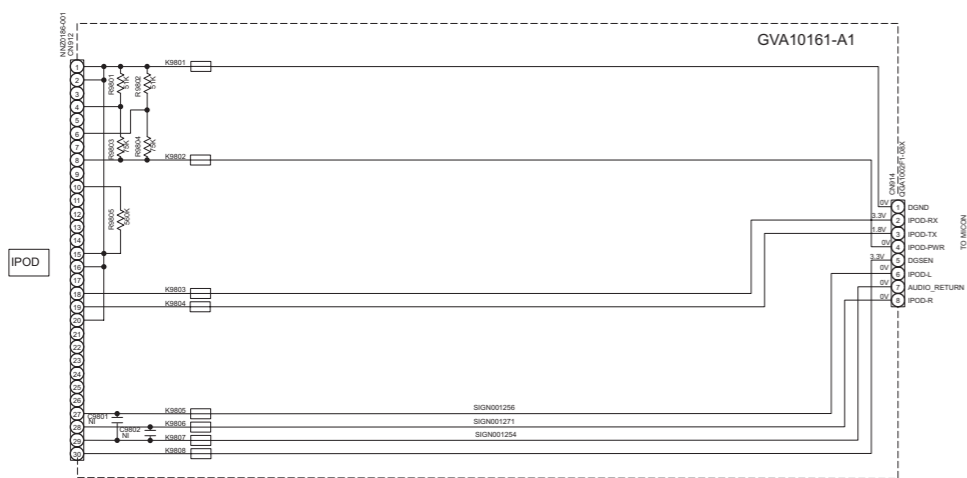
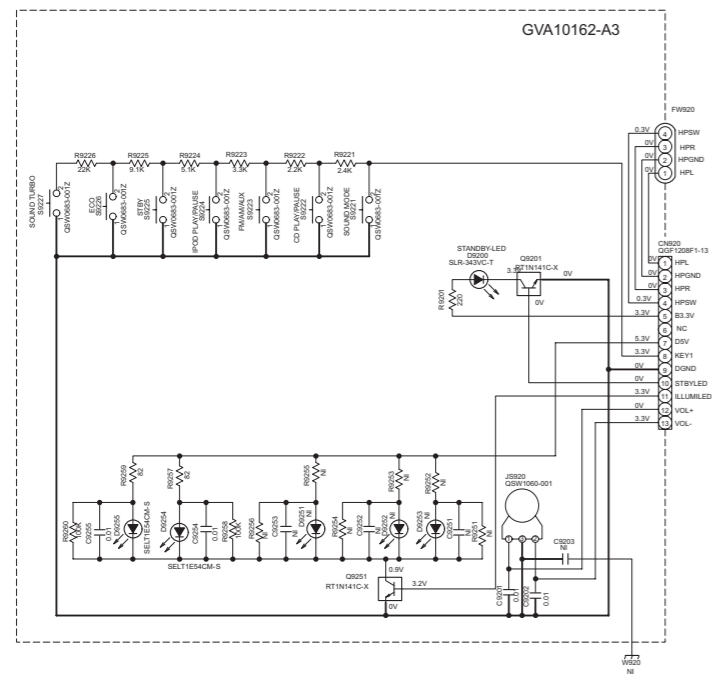
| VERSION | J.C. | A | B.E.LEV | UW | UJ |
|----------|------|------|---------|-----|------|
| REF. NO. | 10K | 3.3K | NI | 10K | 8.2K |
| R7301 | NI | 10K | 10K | 10K | 10K |



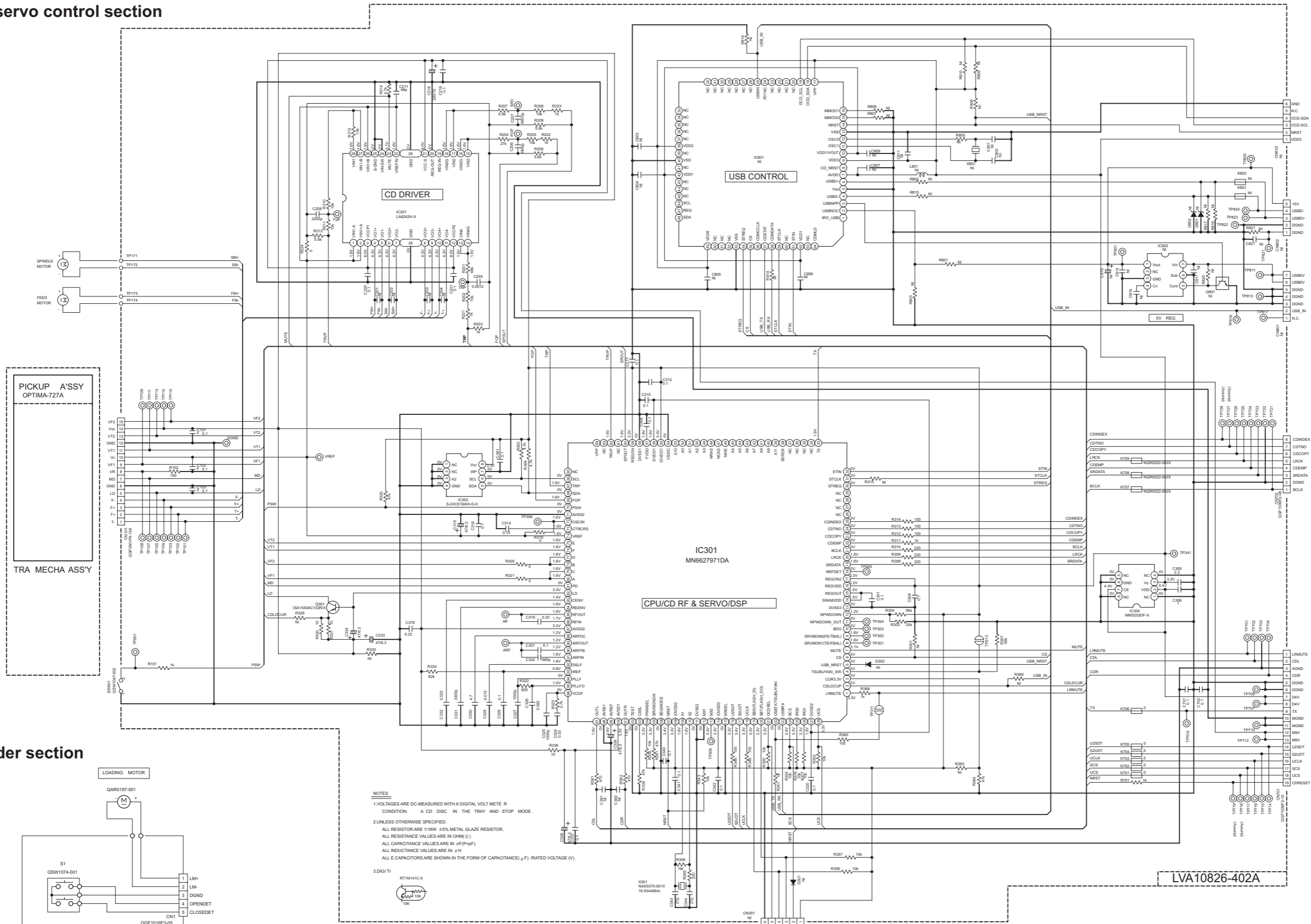
■ Amp section



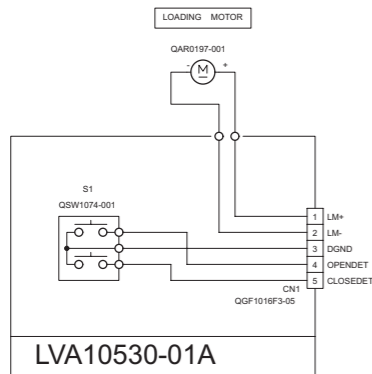
■ Front section



■ CD servo control section

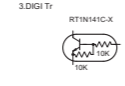


■ Loader section

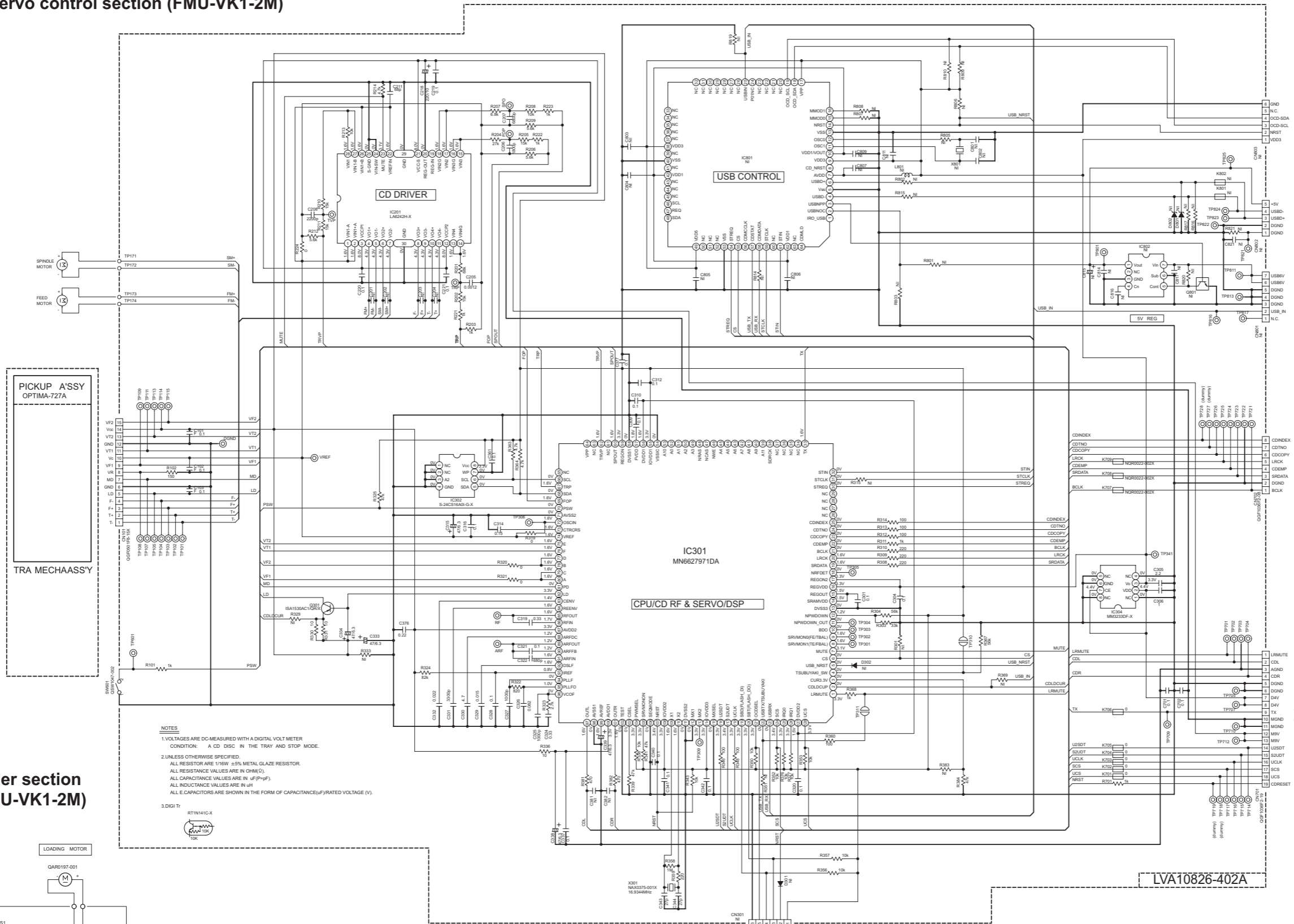


NOTES

- 1.VOLTAGES ARE DC-MEASURED WITH A DIGITAL VOLT METER IN THE TRAY AND STOP MODE CONDITION.
- 2.UNLESS OTHERWISE SPECIFIED:
ALL RESISTOR ARE 1/8W 5% METAL GLAZE RESISTOR.
ALL RESISTANCE VALUES ARE IN OHM (Ω).
ALL CAPACITANCE VALUES ARE IN pF(pF).
ALL INDUCTANCE VALUES ARE IN μH.
ALL CAPACITORS ARE SHOWN IN THE FORM OF CAPACITANCE(μF) / RATED VOLTAGE (V).

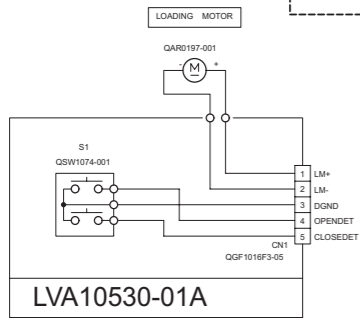


■ CD servo control section (FMU-VK1-2M)



- NOTES
- 1.VOLTAGES ARE DC-MEASURED WITH A DIGITAL VOLT METER CONDITION. A CD DISC IN THE TRAY AND STOP MODE.
 - 2.UNLESS OTHERWISE SPECIFIED, ALL RESISTOR ARE 1/8W ±5% METAL GLAZE RESISTOR. ALL RESISTANCE VALUES ARE IN OHM(Ω). ALL CAPACITANCE VALUES ARE IN μF(μF). ALL INDUCTANCE VALUES ARE IN μH. ALL CAPACITORS ARE SHOWN IN THE FORM OF CAPACITANCE(μF)/RATED VOLTAGE (V).
 - 3.DIGIT

■ Loader section (FMU-VK1-2M)



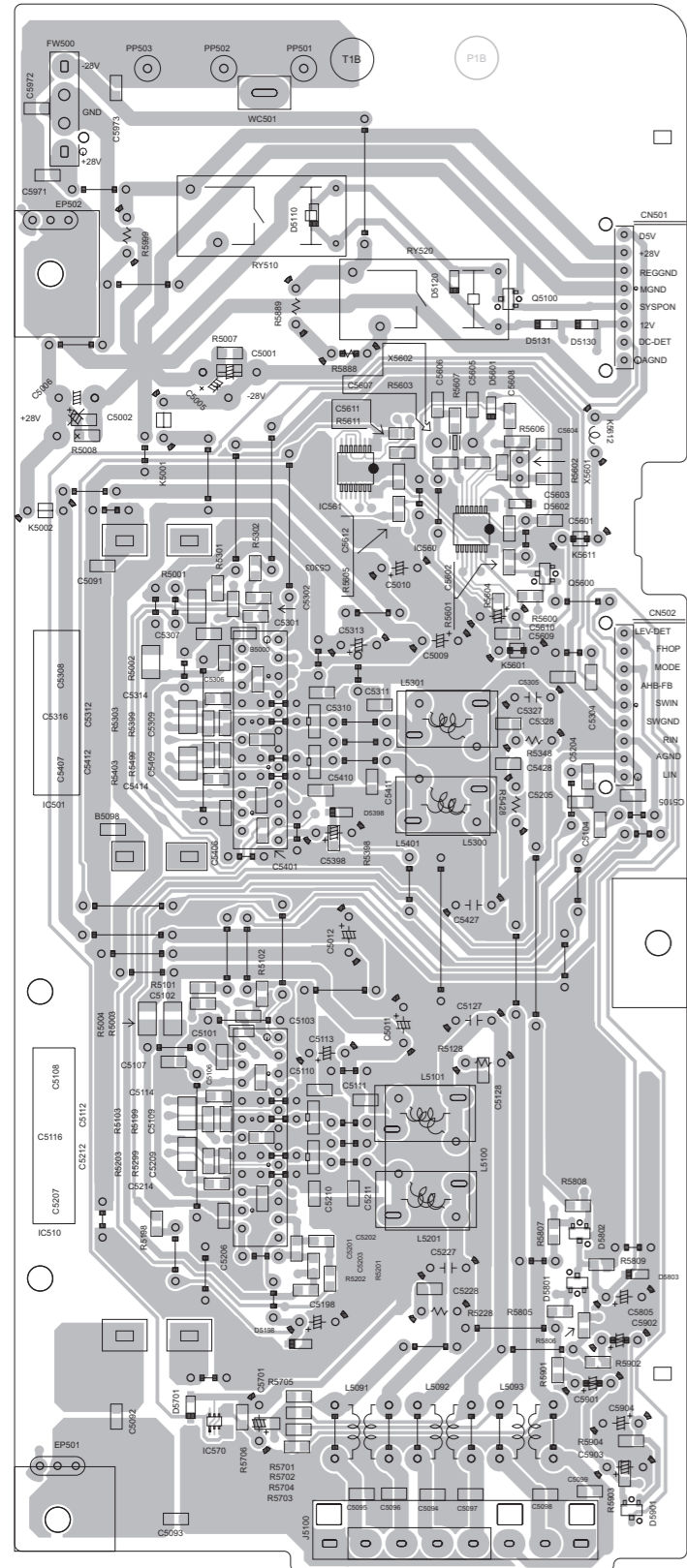
To Micom section 1 CN708

LVA10826-402A

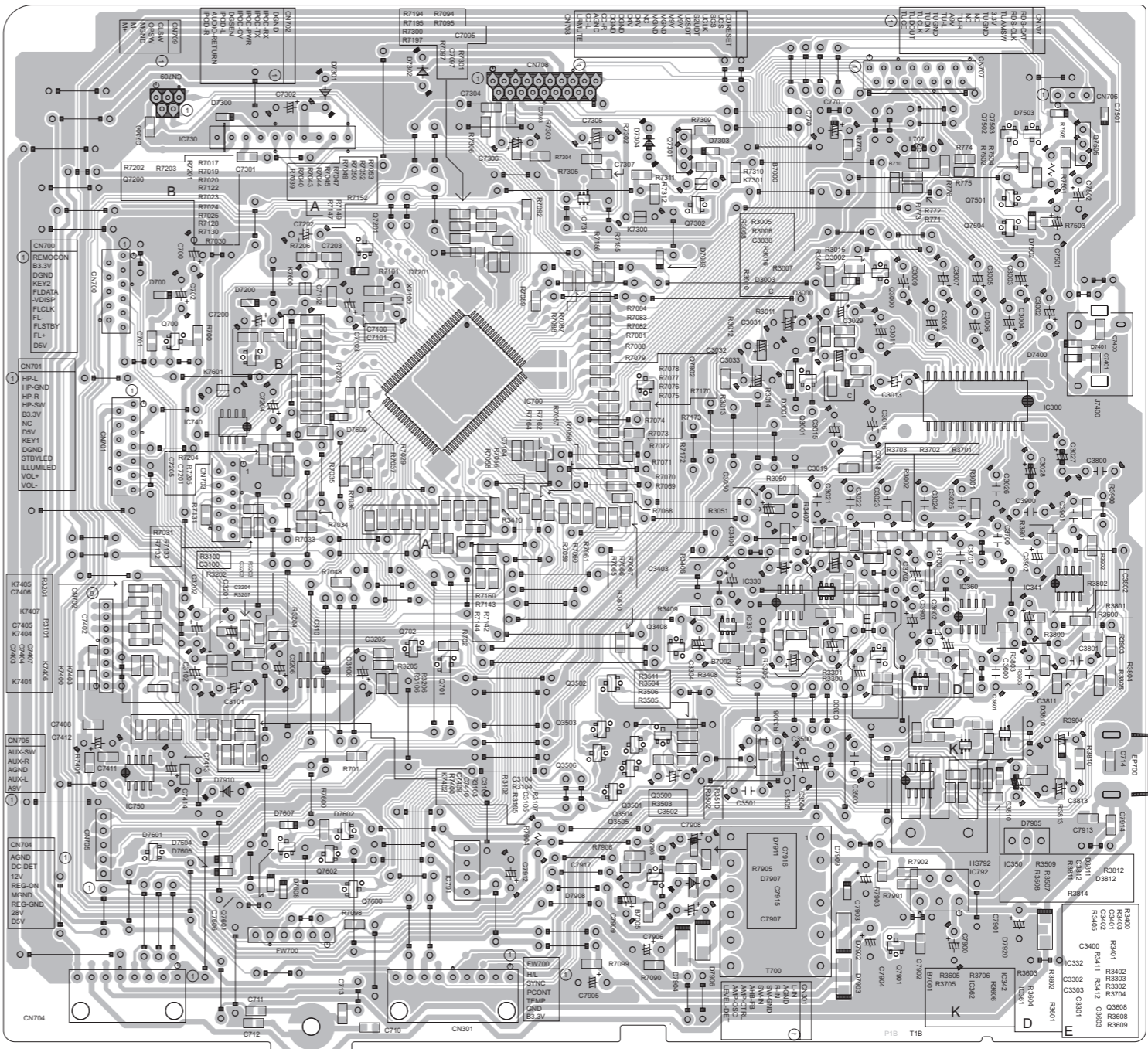
FOR MN66F27971 FLASH WRITER

Printed circuit boards

■ **Power board** Lead free solder used in the board (material : Sn-Ag-Cu, melting point : 219 Centigrade)
 Lead free solder used in the board (material : Sn-Cu, melting point : 230 Centigrade)



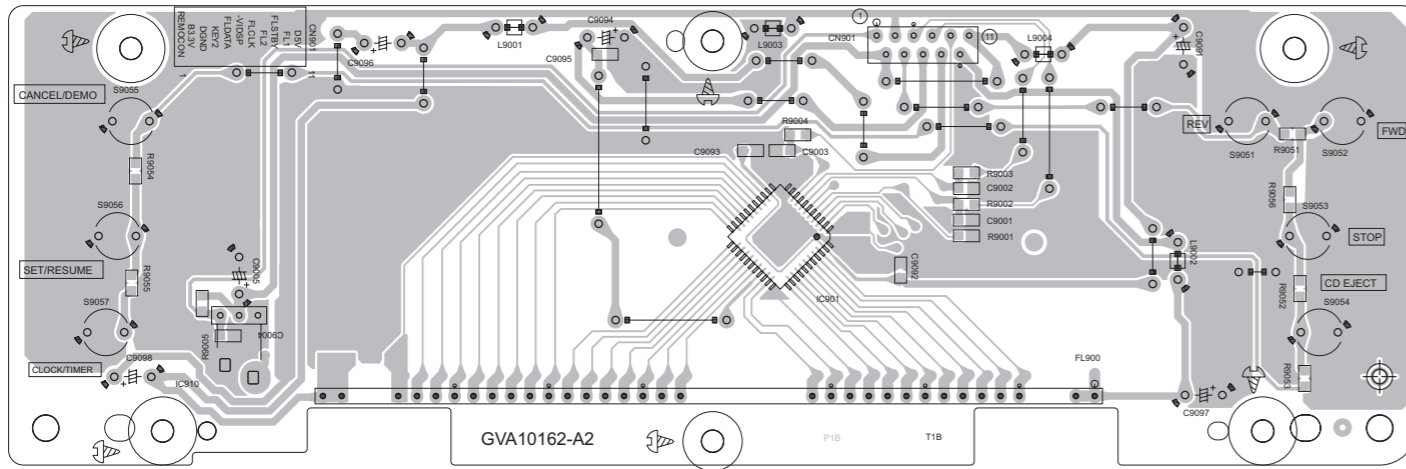
■ **Micom board** Lead free solder used in the board (material : Sn-Ag-Cu, melting point : 219 Centigrade)
 Lead free solder used in the board (material : Sn-Cu, melting point : 230 Centigrade)



■ **FL board**

Lead free solder used in the board (material : Sn-Ag-Cu, melting point : 219 Centigrade)

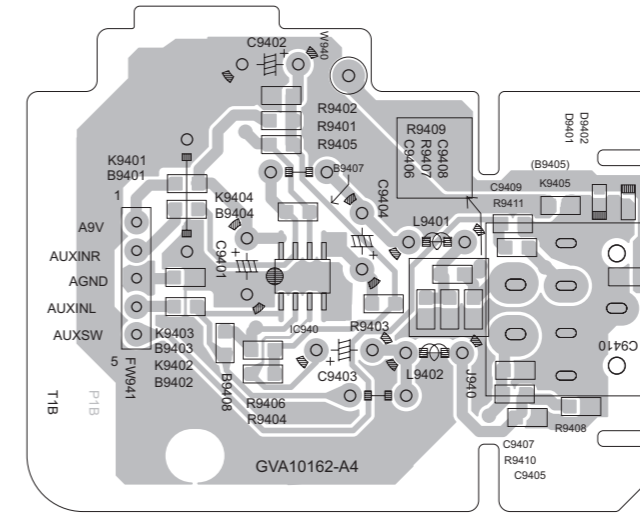
Lead free solder used in the board (material : Sn-Cu, melting point : 230 Centigrade)



■ **AUX jack board**

Lead free solder used in the board (material : Sn-Ag-Cu, melting point : 219 Centigrade)

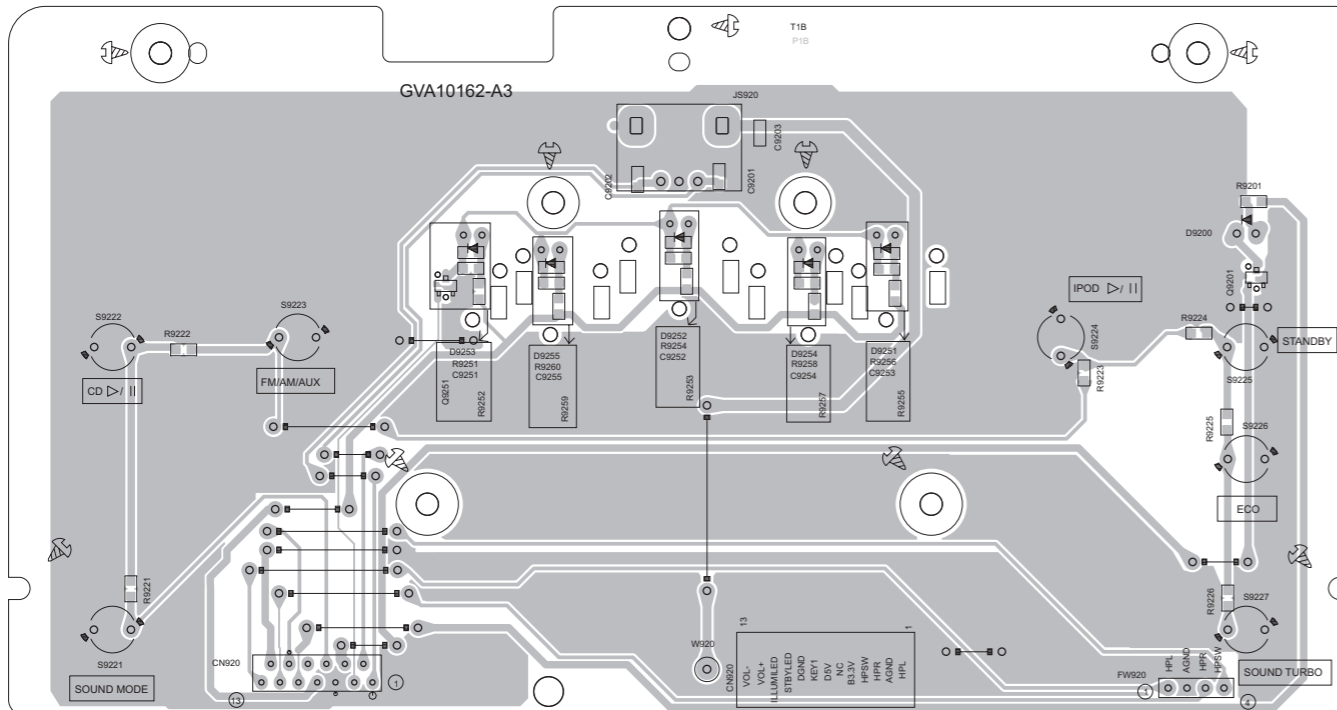
Lead free solder used in the board (material : Sn-Cu, melting point : 230 Centigrade)



■ **Volume board**

Lead free solder used in the board (material : Sn-Ag-Cu, melting point : 219 Centigrade)

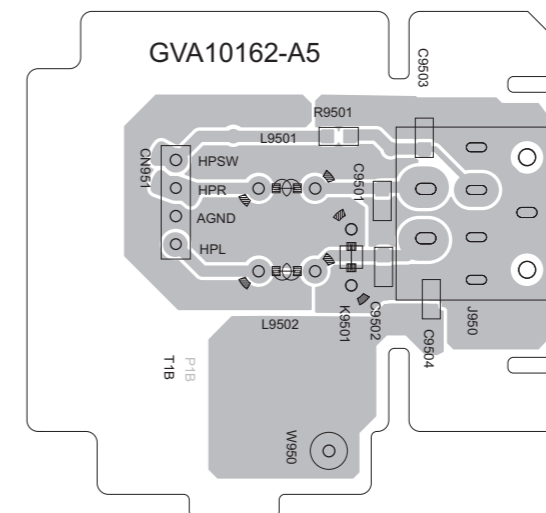
Lead free solder used in the board (material : Sn-Cu, melting point : 230 Centigrade)



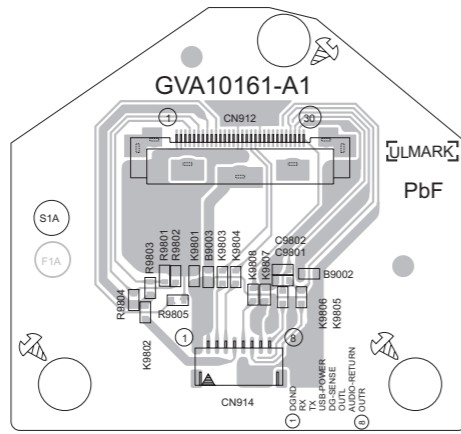
■ **Headphone jack board**

Lead free solder used in the board (material : Sn-Ag-Cu, melting point : 219 Centigrade)

Lead free solder used in the board (material : Sn-Cu, melting point : 230 Centigrade)



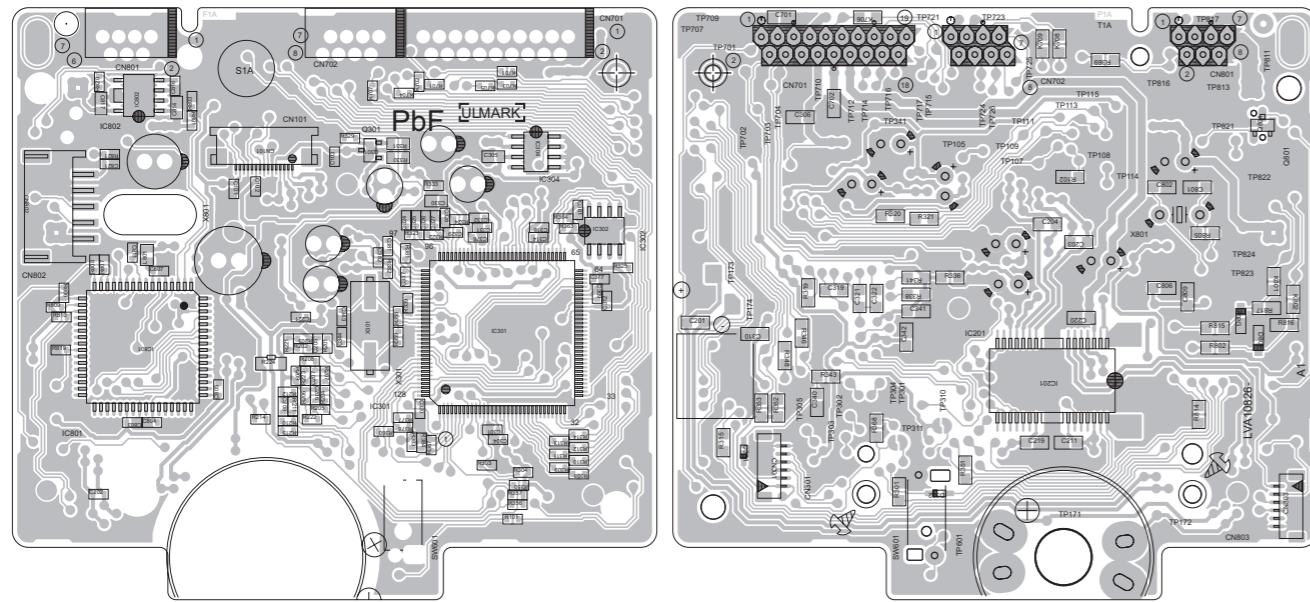
■ iPod board Lead free solder used in the board (material : Sn-Ag-Cu, melting point : 219 Centigrade)
 Lead free solder used in the board (material : Sn-Cu, melting point : 230 Centigrade)



■ CD servo control board Lead free solder used in the board (material : Sn-Ag-Cu, melting point : 219 Centigrade)
 Lead free solder used in the board (material : Sn-Cu, melting point : 230 Centigrade)

forward side

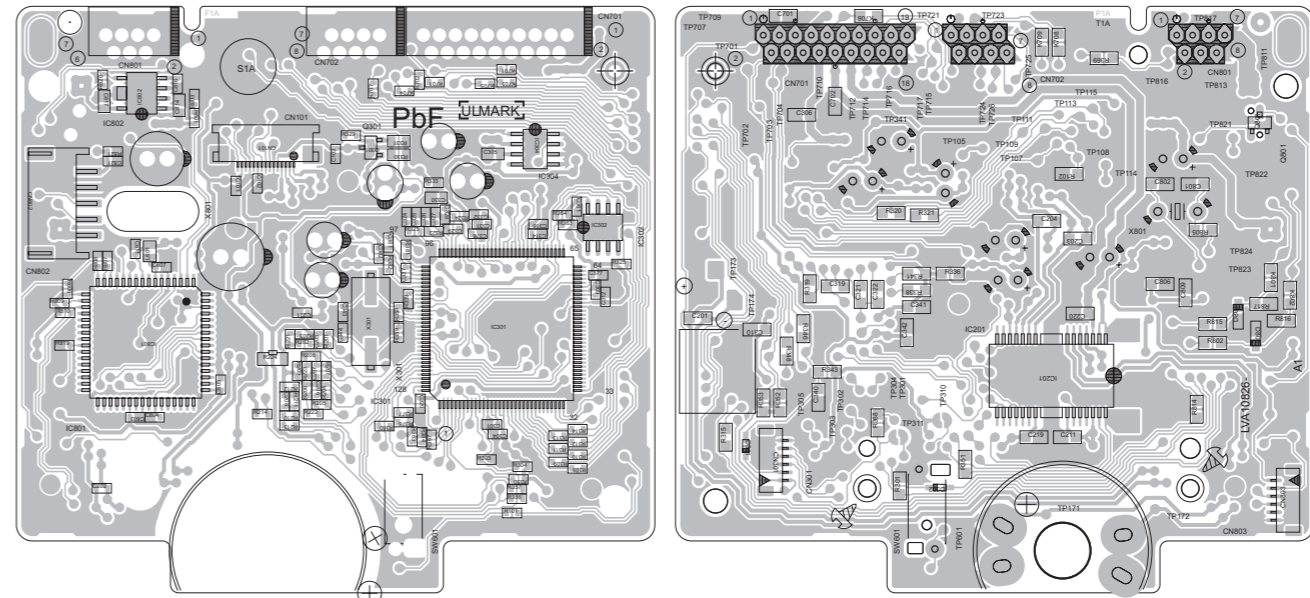
reverse side



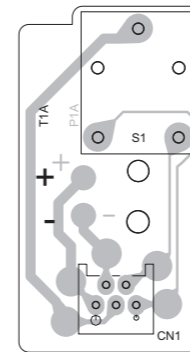
■ CD servo control board (FMU-VK1-2M) Lead free solder used in the board (material : Sn-Ag-Cu, melting point : 219 Centigrade)
 Lead free solder used in the board (material : Sn-Cu, melting point : 230 Centigrade)

forward side

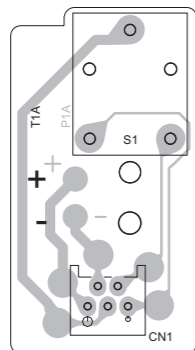
reverse side



■ Loader board (FMU-VK1-2M) Lead free solder used in the board (material : Sn-Ag-Cu, melting point : 219 Centigrade)
 Lead free solder used in the board (material : Sn-Cu, melting point : 230 Centigrade)



■ Loader board Lead free solder used in the board (material : Sn-Ag-Cu, melting point : 219 Centigrade)
 Lead free solder used in the board (material : Sn-Cu, melting point : 230 Centigrade)



< MEMO >



Victor Company of Japan, Limited

Audio/Video Systems Category 10-1,1chome,Ohwatari-machi,Maebashi-city,371-8543,Japan

PARTS LIST

MX-KC68J, MX-KC68C, MX-KC68B
MX-KC68E, MX-KC68EN, MX-KC68EV
MX-KC68A, MX-KC68UJ, MX-KC68UW
MX-KC38J, MX-KC38C

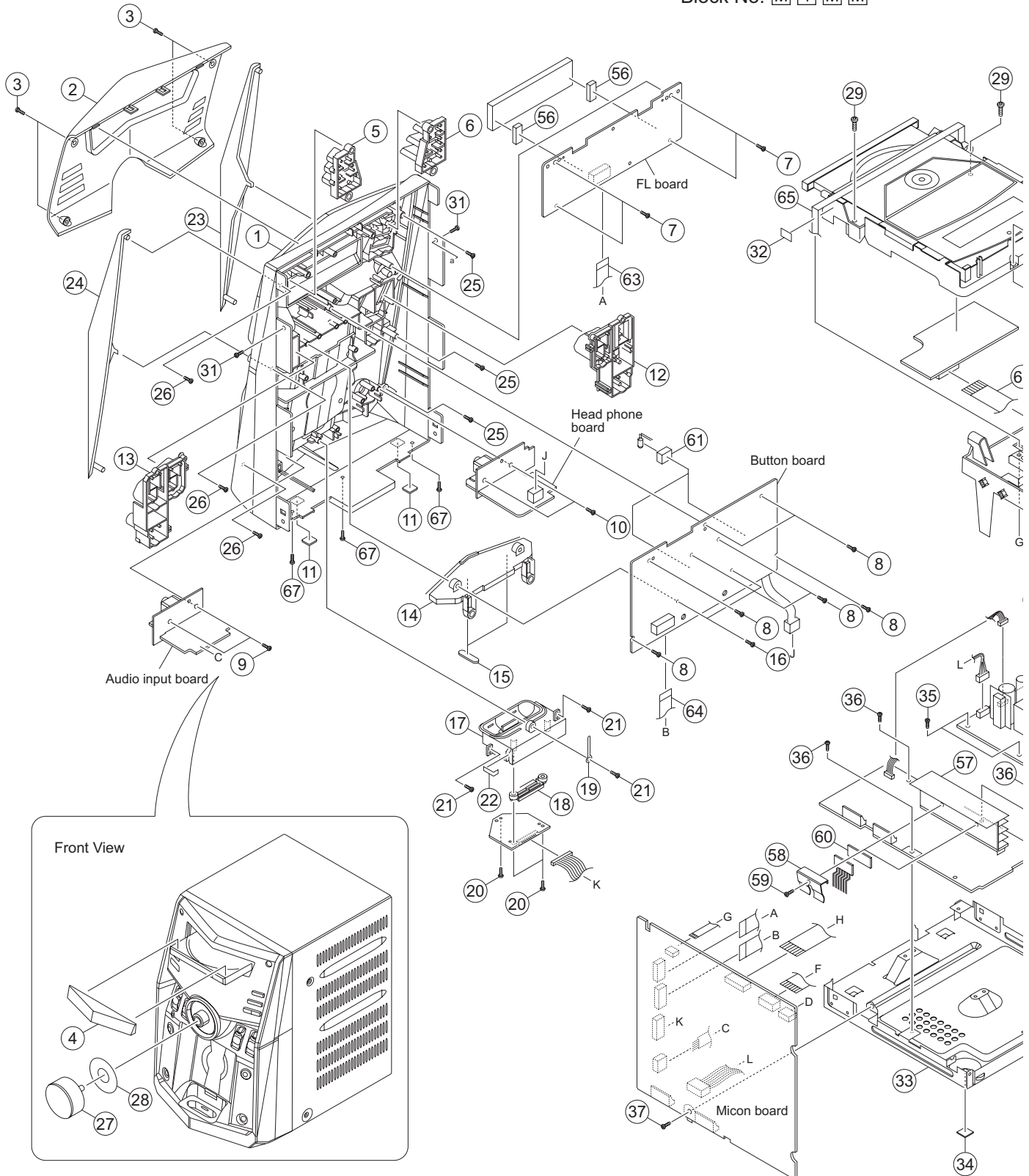
* All printed circuit boards and its assemblies are not available as service parts.

- Contents -

| | |
|---|------|
| Exploded view of general assembly and parts list (Block No.M1) | 3- 2 |
| CD mechanism assembly and parts list (Block No.MB) [FMU-MJ4-1M] | 3- 6 |
| CD loading base assembly and parts list (Block No.MD) [FLM-J6-2M] | 3- 8 |
| CD loading base assembly and parts list (Block No.MW) [FMU-VK1-2M] | 3-10 |
| Electrical parts list (Block No.01~07) | 3-12 |
| Packing materials and accessories parts list (Only KC68 serieis) (Block No.M3) | 3-22 |
| Packing materials and accessories parts list (Only KC38 serieis) (Block No.M4) | 3-24 |

Exploded view of general assembly and parts list

Block No. M 1 M M



General Assembly

Block No. [M][1][M][M]

| △ | Symbol No. | Part No. | Part Name | Description | Local |
|---|------------|-----------------|-------------------|----------------|---|
| | 1 | GV10414-001A | FRONT PANEL | | 68J,68C,38J,38C |
| | 1 | GV10414-002A | FRONT PANEL | | 68B,68E,68EN,68EV,68A,68UJ,68UW |
| | 2 | GV20506-001A | FL LENS | | 68J,68C,68A,68UJ,68UW,38J,38C |
| | 2 | GV20506-002A | FL LENS | | 68B,68E,68EN,68EV |
| | 3 | LV40744-003A | SOCKET BOLT | (x4) | |
| | 4 | GV31159-001A | TRAY FITTING | | 68J,68C,68B,68E,68EN,68EV,68A,68UJ,68UW |
| | 4 | GV31159-002A | TRAY FITTING | | 38J,38C |
| | 5 | GV31151-001A | CD BUTTON | | |
| | 6 | GV31152-001A | CHANNEL BUTTON | | |
| | 7 | QYSDSF2608ZA | TAP SCREW | M2.6 x 8mm(x4) | |
| | 8 | QYSDSF2608ZA | TAP SCREW | M2.6 x 8mm(x7) | |
| | 9 | QYSDSF2608ZA | TAP SCREW | M2.6 x 8mm(x2) | |
| | 10 | QYSDSF2608ZA | TAP SCREW | M2.6 x 8mm(x2) | |
| | 11 | GV40313-001A | FELT SPACER | (x2) | |
| | 12 | GV40804-001A | BUTTON A ASSY. | | |
| | 13 | GV31154-001A | BUTTON B | | |
| | 14 | GV31156-001A | LIGHTING PANEL | | |
| | 15 | GV40815-001A | RUBBER SPACER | (x2) | |
| | 16 | QYSDSF2608ZA | TAP SCREW | M2.6 x 8mm(x2) | |
| | 17 | GV31155-001A | IPOD HOLDER | | |
| | 18 | GV40800-001A | IPOD LOCK | | |
| | 19 | VKZ4001-110 | WIRE HOLDER | | |
| | 20 | QYSDSF2608ZA | TAP SCREW | M2.6 x 8mm(x3) | |
| | 21 | QYSDSF2608ZA | TAP SCREW | M2.6 x 8mm(x3) | |
| | 22 | GV30349-074A | SPACER | | |
| | 23 | GV20509-001A | SIDE ORNAMENT L | | |
| | 24 | GV20510-001A | SIDE ORNAMENT R | | |
| | 25 | QYSDSF2008ZA | TAP SCREW | M2 x 8mm(x3) | |
| | 26 | QYSDSF2008ZA | TAP SCREW | M2 x 8mm(x3) | |
| | 27 | GV31160-001A | VOLUME KNOB | | |
| | 28 | GV40803-001A | VOL.KNOB SHEET | | |
| | 29 | QYSBSF3010ZA | TAP SCREW | M3 x 10mm(x3) | |
| | 30 | GV10418-001A | MECHA CHASSIS | | |
| | 31 | QYSSSF3010ZA | TAP SCREW | M3 x 10mm(x2) | |
| | 32 | GV30349-044A | SPACER | | |
| | 33 | GV10417-001A | BOTTOM CHASSIS | | |
| | 34 | GV40313-001A | FELT SPACER | (x2) | |
| | 35 | QYSDSG3006ZA | TAP SCREW | M3 x 6mm(x6) | |
| | 36 | QYSDSG3006ZA | TAP SCREW | M3 x 6mm(x4) | |
| | 37 | QYSBSGG3008EA | TAP SCREW | M3 x 8mm | |
| | 38 | QMPD330-200-JD | POWER CORD(US/CA) | 2m BLACK | 68J,68C,38J,38C |
| | 38 | QMPN410-200-JD | POWER CORD | 2m BLACK | 68B |
| | 38 | QMPK200-200-JD | POWER CORD | 2m BLACK | 68E,68EN,68EV,68UJ,68UW |
| | 38 | QMPG080-244-JD | POWER CORD | 2.44m BLACK | 68A |
| | 39 | QZW0033-001 | STRAIN RELIEF | | |
| | 40 | QAL1060-001 | POWER UNIT ASSY | | 68J,68C,38J,38C |
| | 40 | QAL1060-002 | POWER UNIT ASSY | | 68B,68E,68EN,68EV,68A,68UJ,68UW |
| | 41 | WJZ0307-003A-E | E-HARNESS ASSY | | 68J,68C,38J,38C |
| | 42 | GV10416-001A | REAR PANEL | | 68J,68C |
| | 42 | GV10416-002A | REAR PANEL | | 68B,68E,68EN |
| | 42 | GV10416-003A | REAR PANEL | | 68EV |
| | 42 | GV10416-004A | REAR PANEL | | 68A |
| | 42 | GV10416-005A | REAR PANEL | | 68UJ,68UW |
| | 42 | GV10416-006A | REAR PANEL | | 38J,38C |
| | 43 | QAU0509-001 | TUNER | | 68J,68C,68A,68UJ,68UW,38J,38C |
| | 43 | QAU0510-001 | TUNER | | 68B,68E,68EN,68EV |
| | 44 | QAR0473-001 | FAN | | |
| | 45 | GV10415-001A/S/ | METAL COVER | | |
| | 46 | QYSBSGY3008EA | TAP SCREW | M3 x 8mm(x2) | |
| | 47 | QYSBSGY3008EA | TAP SCREW | M3 x 8mm(x2) | |
| | 48 | QYSBSGY3008EA | TAP SCREW | M3 x 8mm | |
| | 49 | QYSBSGY3008EA | TAP SCREW | M3 x 8mm(x2) | |
| | 50 | QYSBSGY3008EA | TAP SCREW | M3 x 8mm(x2) | |
| | 51 | QYSBSGY3008EA | TAP SCREW | M3 x 8mm | |
| | 52 | QYSDSG3008NA | TAP SCREW | M3 x 8mm(x2) | |
| | 53 | QYSDSG3008NA | TAP SCREW | M3 x 8mm(x2) | |
| | 54 | QYSBSGY3008EA | TAP SCREW | M3 x 8mm(x6) | |
| | 55 | LV30225-074A | SPECER | | |
| | 56 | GV30349-077A | SPACER | (x2) | |
| | 57 | GV40806-001A | HEAT SINK ASSY | | 68J,68C,68B,68E,68EN,68EV,68A,68UJ,68UW |
| | 57 | GV40806-003A | HEAT SINK ASSY | | 38J,38C |
| | 58 | GV40805-001A | IC BRACKET | (x2) | 68J,68C,68B,68E,68EN,68EV,68A,68UJ,68UW |
| | 58 | GV40805-001A | IC BRACKET | | 38J,38C |
| | 59 | QYSBSG3012ZA | TAP SCREW | M3 x 12mm(x2) | 68J,68C,68B,68E,68EN,68EV,68A,68UJ,68UW |

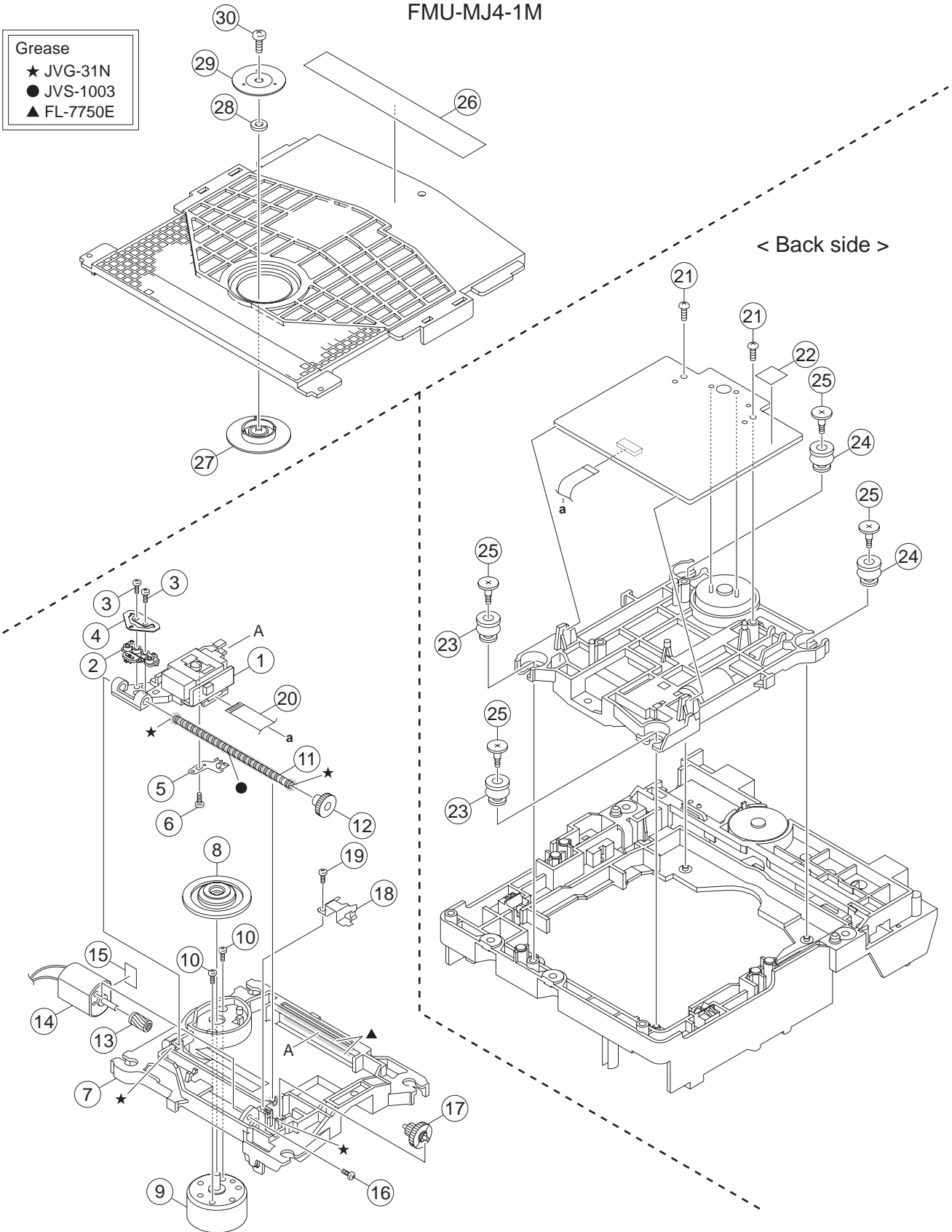
| △ Symbol No. | Part No. | Part Name | Description | Local |
|--------------|-----------------|---------------|---------------|---|
| 59 | QYSBSG3012ZA | TAP SCREW | M3 x 12mm | 38J,38C |
| 60 | GV40791-002A | THERMAL SHEET | (x2) | 68J,68C,68B,68E,68EN,68EV,68A,68UJ,68UW |
| 60 | GV40791-002A | THERMAL SHEET | | 38J,38C |
| 61 | GV40811-001A | LED HOLDER | (x2) | |
| 62 | QUQU12-1117AJ-E | FFC WIRE | 11pin 17cm | 68J,68C,68A,68UJ,68UW,38J,38C |
| 62 | QUQU12-1517AJ-E | FFC WIRE | 15pin 17cm | 68B,68E,68EN,68EV |
| 63 | QUQU12-1115BJ-E | FFC WIRE | 11pin 15cm | |
| 64 | QUQU12-1315AJ-E | FFC WIRE | 13pin 15cm | |
| 65 | QUR110-0530AJ-E | FFC WIRE | | |
| 66 | QUR110-1916BJ-E | FFC WIRE | | |
| 67 | QYSBSG3010ZA | TAP SCREW | M3 x 10mm(x3) | |
| 68 | QYSBSGY3008EA | TAP SCREW | M3 x 8mm(x2) | 68UJ,68UW |

CD mechanism assembly and parts list

Block No. M B M M

FMU-MJ4-1M

- | Grease | |
|--------|----------|
| ★ | JVG-31N |
| ● | JVS-1003 |
| ▲ | FL-7750E |



The parts without symbol number are not service.

CD mechanism

Block No. [M][B][M][M]

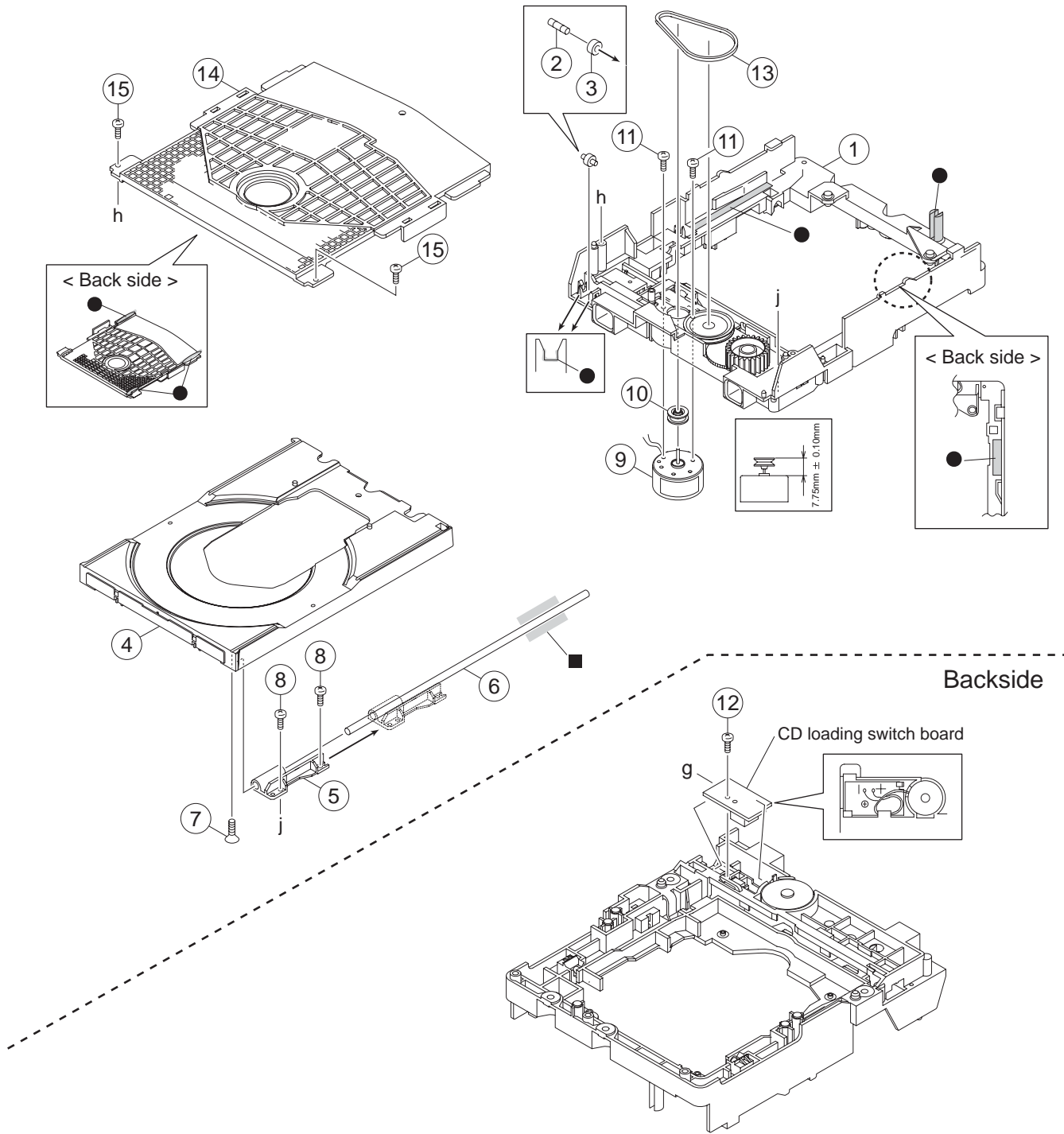
| △ Symbol No. | Part No. | Part Name | Description | Local |
|--------------|-----------------|-----------------|--------------|-------|
| 1 | QAL0993-001 | PICK UP | | |
| 2 | LV22529-003A | RACK ARM | | |
| 3 | VKZ4777-012 | MINI SCREW | (x2) | |
| 4 | LV37574-001A | RACK ARM SPRING | | |
| 5 | LV37786-001A | PS SPRING | | |
| 6 | QYSPSGT1425MA | TAP SCREW | M1.4 x 2.5mm | |
| 7 | LV10855-004A | TM CHASSIS | | |
| 8 | LV43648-002A | TURN TABLE | | |
| 9 | QAR0302-001 | SPINDLE MOTOR | 2.0V DC | |
| 10 | VKZ4743-002 | SPECIAL SCREW | (x2) | |
| 11 | LV40157-001A | SCREW SHAFT | | |
| 12 | LV43651-001A | SS GEAR | | |
| 13 | LV43650-001A | F MOTOR GEAR | | |
| 14 | QAR0303-001 | FEED MOTOR | 2.0V DC | |
| 15 | LV30227-0B7A | SPACER | | |
| 16 | QYSPSPT2030MA | SCREW | M2 x 3mm | |
| 17 | LV34565-003A | F MIDDLE GEAR | | |
| 18 | LV34563-002A | SHAFT HOLDER | | |
| 19 | QYSPSFT1740ZA | TAP SCREW | M1.7 x 4mm | |
| 20 | QUQU05-1506BB-E | FFC WIRE | 15pin 6cm | |
| 21 | QYSBSF2006ZA | TAP SCREW | M2 x 6mm(x2) | |
| 22 | LV30225-073A | SPACER | | |
| 23 | LV44043-001A | INSULATOR | (x2) | |
| 24 | LV44043-002A | INSULATOR | (x2) | |
| 25 | LV44044-001A | SPECIAL SCREW | (x4) | |
| 26 | LV44603-003A | LASER CAUTION | | |
| 27 | LV34586-002A | CD CLAMPER | | |
| 28 | LV42930-003A | MAGNET | | |
| 29 | LV43848-001A | YOKE | | |
| 30 | LV43958-001A | SPECIAL SCREW | | |

CD loading base assembly and parts list

Block No. M D M M

FLM-J6-2M

| | |
|--------|--------------|
| Grease | |
| ● | JVS-1003 |
| ■ | JCFD-4007ZY2 |



The parts without symbol number are not service.

CD loading base mechanism

Block No. [M][D][M][M]

| △ | Symbol No. | Part No. | Part Name | Description | Local |
|---|------------|----------------|-----------------|----------------|-------|
| | 1 | LV11065-014A | LOADER SUB ASSY | | |
| | 2 | E407140-001SS | C.D ROLLER | | |
| | 3 | E407149-001SS | RUBBER TUBE | | |
| | 4 | LV10979-003A | TRAY | | |
| | 5 | LV35499-003A | SHAFT GUIDE | | |
| | 6 | LV44022-001A | SHAFT | | |
| | 7 | QYSSSF2008ZA | TAP SCREW | M2 x 8mm | |
| | 8 | QYSDSF2008ZA | TAP SCREW | M2 x 8mm(x2) | |
| | 9 | QAR0197-001 | MOTOR | 2.0V DC | |
| | 9 | or QAR0450-001 | MOTOR | | |
| | 10 | LV43844-002A | MOTOR PULLEY | | |
| | 11 | QYSPSPU1730ZA | SCREW | M1.7 x 3mm(x2) | |
| | 12 | QYSDSF2008ZA | TAP SCREW | M2 x 8mm | |
| | 13 | LV43974-001A | BELT | | |
| | 14 | LV21852-003A | CLAMPER BASE | | |
| | 15 | QYSDSF2008ZA | TAP SCREW | M2 x 8mm(x2) | |

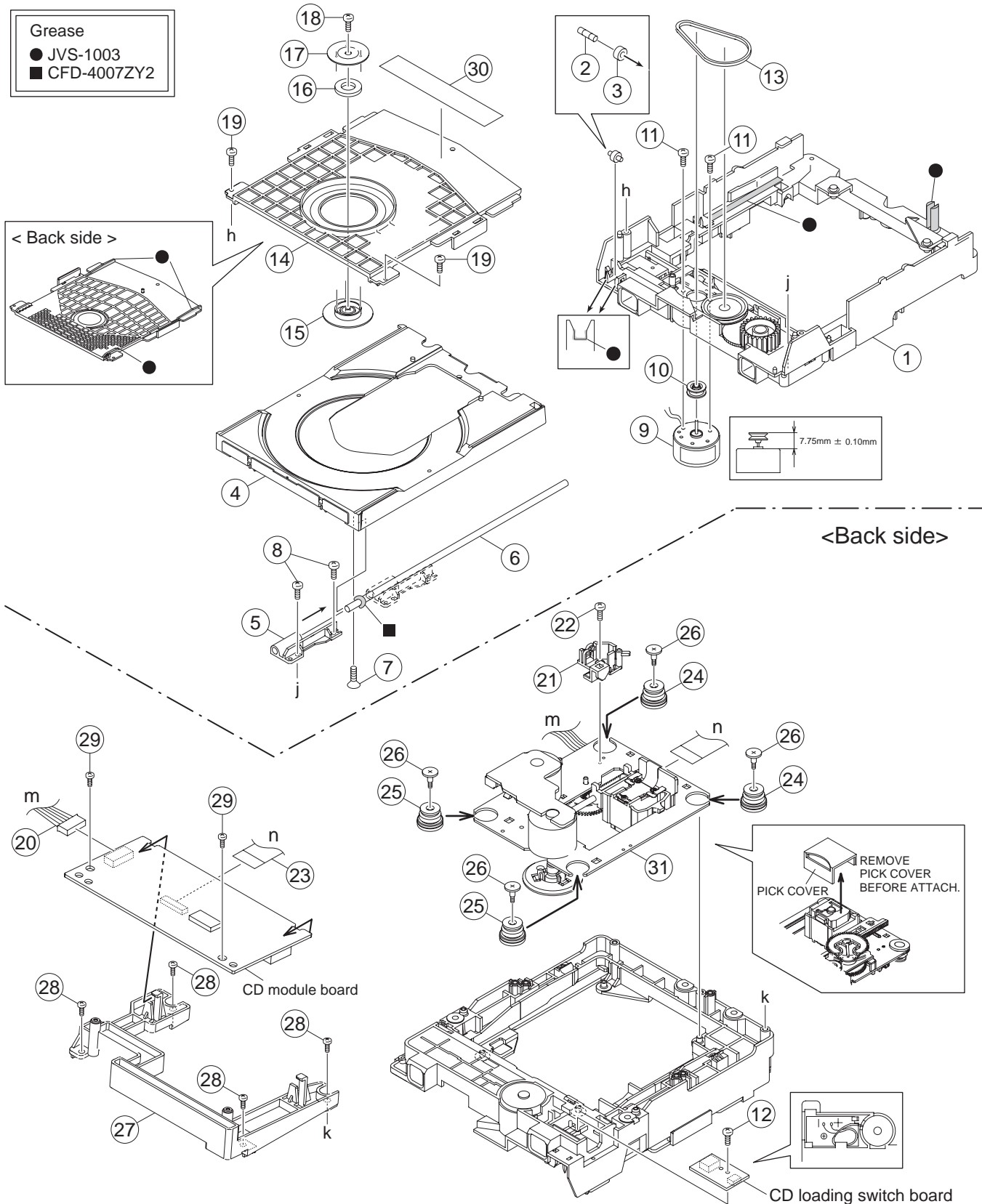
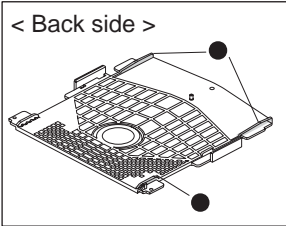
CD loading base assembly and parts list

Block No. M W M M

FMU-VK1-2M

Grease

- JVS-1003
- CFD-4007ZY2



The parts without symbol number are not service.

CD mechanism

Block No. [M][W][M][M]

| △ Symbol No. | Part No. | Part Name | Description | Local |
|--------------|-----------------|-----------------|----------------|-------|
| 1 | LV11564-001A | LOADER SUB ASSY | | |
| 2 | E407140-001SS | C.D ROLLER | | |
| 3 | E407149-001SS | RUBBER TUBE | | |
| 4 | LV10979-003A | TRAY | | |
| 5 | LV35499-003A | SHAFT GUIDE | | |
| 6 | LV44022-001A | SHAFT | | |
| 7 | QYSSSF2008ZA | TAP SCREW | M2 x 8mm | |
| 8 | QYSDSF2008ZA | TAP SCREW | M2 x 8mm(x2) | |
| 9 | QAR0197-001 | MOTOR | 2.0V DC | |
| 9 | or QAR0450-001 | MOTOR | | |
| 10 | LV43844-002A | MOTOR PULLEY | | |
| 11 | QYSPSPU1730ZA | SCREW | M1.7 x 3mm(x2) | |
| 12 | QYSDSF2008ZA | TAP SCREW | M2 x 8mm | |
| 13 | LV43974-001A | BELT | | |
| 14 | LV22684-001A | CLAMPER BASE | | |
| 15 | LV22686-001A | CLAMPER | | |
| 16 | LV42929-001A | P.C.MAGNET | | |
| 17 | LV38206-001A | CD YOKE | | |
| 18 | LV43958-001A | SPECIAL SCREW | | |
| 19 | QYSDSF2008ZA | TAP SCREW | M2 x 8mm(x2) | |
| 20 | WJJ0955-001A-E | E-SI C WIRE C-C | | |
| 21 | LV22698-001A | WIRE CLAMPER | | |
| 22 | QYSPST2006ZA | TAP SCREW | M2 x 6mm | |
| 23 | QUR310-1606AE-E | FFC WIRE | | |
| 24 | LV45127-001A | INSULATOR | (x2) | |
| 25 | LV45127-002A | INSULATOR | (x2) | |
| 26 | LV44044-001A | SPECIAL SCREW | (x4) | |
| 27 | LV11565-001A | CB HOLDER | | |
| 28 | QYSBSF2608ZA | TAP SCREW | M2.6 x 8mm(x4) | |
| 29 | LV44209-001A | WASHER SCREW | (x2) | |
| 30 | LV44603-003A | LASER CAUTION | | |
| 31 | QAL1105-001 | CD TRAMECHA | | |

Electrical parts list

Power board

| Block No. [0][1] | | | | | △ Symbol No. | Part No. | Part Name | Description | Local |
|------------------|-----------------|-----------------|--------------|---|--------------|--------------|-------------|----------------|-----------------------|
| △ Symbol No. | Part No. | Part Name | Description | Local | | | | | |
| IC300 | R2A15908SP-X | VOLUME IC | | | D3001 | MA111-X | SI DIODE | | |
| IC310 | NJM4565E-X | IC | | | D3810 | MA111-X | SI DIODE | | |
| IC330 | NJM4565E-X | IC | | | D3811 | MA111-X | SI DIODE | | |
| IC331 | IMX9-W | PAIR TRANSISTOR | | | D7089 | MA8033-X | Z DIODE | | |
| IC332 | IMX9-W | PAIR TRANSISTOR | | | D7201 | MA111-X | SI DIODE | | |
| IC341 | NJM4565E-X | IC | | | D7300 | MA8047/M/-X | Z DIODE | | |
| IC342 | RT3CLLM/EF/-X | TRANSISTOR | | | D7301 | 1N4003S-T5 | SI DIODE | | |
| IC350 | NJM4565E-X | IC | | 68J,68C,6 8B,68E,68 EN,68EV, 68A,68UJ, 68UW | D7302 | 1N4003S-T5 | SI DIODE | | |
| IC360 | NJM4565E-X | IC | | | D7501 | MA8120/M/-X | Z DIODE | | |
| IC361 | IMX9-W | PAIR TRANSISTOR | | | D7503 | MA111-X | SI DIODE | | |
| IC362 | RT3CLLM/EF/-X | TRANSISTOR | | | D7601 | MC2836-X | DIODE | | |
| IC700 | M3030RFAPFP | MICON IC | | | D7602 | MC2836-X | DIODE | | |
| IC730 | LB1641 | IC | | | D7607 | MA8082/M/-X | Z DIODE | | |
| IC740 | S-24CS04AFJ-G-X | IC | | | D7608 | MA8043/M/-X | Z DIODE | | |
| IC750 | MM3235AF-X | TRANSISTOR | | | D7609 | MA111-X | SI DIODE | | |
| IC791 | PQ090RDC1SZF | IC | | | D7902 | SK14-GA-X | DIODE | | |
| IC792 | SI-8050S | IC | SW Regulator | | D7903 | SK14-GA-X | DIODE | | |
| IC901 | PT6315 | IC | | | D7904 | SK14-GA-X | DIODE | | |
| IC910 | GP1UE281XKC1 | IR DETECT | | | D7905 | FMB-24 | FUSEIODE | | |
| IC940 | NJM4565E-X | IC | | | D7906 | SK14-GA-X | DIODE | | |
| Q700 | KTC3265/Y/-X | TRANSISTOR | | | D7907 | FR104S-T5 | FR DIODE | | |
| Q701 | KRC102S-X | DIGI TRANSISTOR | | | D7908 | MA8024-X | Z DIODE | | |
| Q702 | KRC102S-X | DIGI TRANSISTOR | | | D7910 | 1N4003S-T5 | SI DIODE | | |
| Q3000 | RT6N140C-X | CHIP TR. | | | D7920 | SK14-GA-X | DIODE | | |
| Q3001 | RT6N140C-X | CHIP TR. | | | D9200 | SLR-343VC-T | LED | | |
| Q3408 | KRA102S-X | DIGI TRANSISTOR | | | D9254 | SELT1E54CM-S | LED | | |
| Q3500 | RT6N230C-X | DIGI TRANSISTOR | | 68J,68C,6 8B,68E,68 EN,68EV, 68A,68UJ, 68UW | D9255 | SELT1E54CM-S | LED | | |
| Q3501 | RT6N230C-X | DIGI TRANSISTOR | | 68J,68C,6 8B,68E,68 EN,68EV, 68A,68UJ, 68UW | C700 | QETN1HM-226Z | E CAPACITOR | 22uF 50V M | |
| Q3502 | RT6N230C-X | DIGI TRANSISTOR | | 68J,68C,6 8B,68E,68 EN,68EV, 68A,68UJ, 68UW | C701 | NCB31HK-103X | C CAPACITOR | 0.01uF 50V K | |
| Q3504 | KRA102S-X | DIGI TRANSISTOR | | 68J,68C,6 8B,68E,68 EN,68EV, 68A,68UJ, 68UW | C702 | QETN1HM-226Z | E CAPACITOR | 22uF 50V M | |
| Q3505 | KRA102S-X | DIGI TRANSISTOR | | 68J,68C,6 8B,68E,68 EN,68EV, 68A,68UJ, 68UW | C711 | NCB31HK-104X | C CAPACITOR | 0.1uF 50V K | |
| Q3608 | KRA102S-X | DIGI TRANSISTOR | | 68J,68C,6 8B,68E,68 EN,68EV, 68A,68UJ, 68UW | C713 | NRSA63J-0R0X | MG RESISTOR | 0Ω 1/16W J | |
| Q7201 | KRC102S-X | DIGI TRANSISTOR | | 68J,68C,6 8B,68E,68 EN,68EV, 68A,68UJ, 68UW | C714 | NCB31HK-104X | C CAPACITOR | 0.1uF 50V K | 68B,68E,6 8EN,68EV |
| Q7301 | KTA1271/OY/-T | TRANSISTOR | | | C770 | QETN1EM-476Z | E CAPACITOR | 47uF 25V M | 68B,68E,6 8EN,68EV |
| Q7302 | KRC102S-X | DIGI TRANSISTOR | | | C3002 | QETN1HM-105Z | E CAPACITOR | 1uF 50V M | |
| Q7501 | KRA102S-X | DIGI TRANSISTOR | | | C3003 | QETN1HM-105Z | E CAPACITOR | 1uF 50V M | |
| Q7502 | KRC103S-X | DIGITAL TR | | | C3004 | QETN1HM-105Z | E CAPACITOR | 1uF 50V M | |
| Q7505 | KTC3203/OY/-T | TRANSISTOR | | | C3005 | QETN1HM-105Z | E CAPACITOR | 1uF 50V M | |
| Q7600 | KRC102S-X | DIGI TRANSISTOR | | | C3006 | QETN1HM-105Z | E CAPACITOR | 1uF 50V M | |
| Q7601 | KRC102S-X | DIGI TRANSISTOR | | | C3007 | QETN1HM-105Z | E CAPACITOR | 1uF 50V M | |
| Q7602 | KRA102S-X | DIGI TRANSISTOR | | | C3008 | QETN1HM-105Z | E CAPACITOR | 1uF 50V M | |
| Q7901 | KRC102S-X | DIGI TRANSISTOR | | | C3009 | QETN1HM-105Z | E CAPACITOR | 1uF 50V M | |
| Q7902 | KRC102S-X | DIGI TRANSISTOR | | | C3011 | QETN1HM-225Z | E CAPACITOR | 2.2uF 50V M | |
| Q9201 | KRC102S-X | DIGI TRANSISTOR | | | C3013 | QETN1HM-225Z | E CAPACITOR | 2.2uF 50V M | |
| Q9251 | KRC102S-X | DIGI TRANSISTOR | | | C3015 | QETN1HM-106Z | E CAPACITOR | 10uF 50V M | |
| D700 | MA8039-X | Z DIODE | | | C3016 | QETN1HM-106Z | E CAPACITOR | 10uF 50V M | |
| D770 | MA8033-X | Z DIODE | | 68B,68E,6 8EN,68EV | C3021 | QFNC2AJ-222Z | M CAPACITOR | 2200pF 100V J | |
| D3000 | MA111-X | SI DIODE | | | C3022 | QFNC2AJ-683Z | M CAPACITOR | 0.068uF 100V J | |
| | | | | | C3023 | QFNC2AJ-683Z | M CAPACITOR | 0.068uF 100V J | |
| | | | | | C3024 | QFNC2AJ-683Z | M CAPACITOR | 0.068uF 100V J | |
| | | | | | C3025 | QFNC2AJ-683Z | M CAPACITOR | 0.068uF 100V J | |
| | | | | | C3026 | QFNC2AJ-222Z | M CAPACITOR | 2200pF 100V J | |
| | | | | | C3029 | QETN1HM-226Z | E CAPACITOR | 22uF 50V M | |
| | | | | | C3030 | QETN1HM-226Z | E CAPACITOR | 22uF 50V M | |
| | | | | | C3031 | QETN1HM-475Z | E CAPACITOR | 4.7uF 50V M | |
| | | | | | C3032 | QETN1HM-475Z | E CAPACITOR | 4.7uF 50V M | |
| | | | | | C3033 | QETN1CM-107Z | E CAPACITOR | 100uF 16V M | |
| | | | | | C3050 | QETN1CM-107Z | E CAPACITOR | 100uF 16V M | |
| | | | | | C3100 | NCB31HK-473X | C CAPACITOR | 0.047uF 50V K | |
| | | | | | C3101 | QETN1HM-106Z | E CAPACITOR | 10uF 50V M | |
| | | | | | C3102 | QETN1HM-106Z | E CAPACITOR | 10uF 50V M | |
| | | | | | C3104 | NDC31HJ-151X | C CAPACITOR | 150pF 50V J | |
| | | | | | C3105 | NDC31HJ-151X | C CAPACITOR | 150pF 50V J | |
| | | | | | C3106 | QETN1CM-107Z | E CAPACITOR | 100uF 16V M | |
| | | | | | C3201 | QETN1HM-106Z | E CAPACITOR | 10uF 50V M | |
| | | | | | C3202 | QETN1HM-106Z | E CAPACITOR | 10uF 50V M | |
| | | | | | C3204 | NDC31HJ-151X | C CAPACITOR | 150pF 50V J | |
| | | | | | C3205 | NDC31HJ-151X | C CAPACITOR | 150pF 50V J | |
| | | | | | C3206 | QETN1CM-107Z | E CAPACITOR | 100uF 16V M | |
| | | | | | C3300 | QETN1HM-225Z | E CAPACITOR | 2.2uF 50V M | |
| | | | | | C3301 | NDC31HJ-151X | C CAPACITOR | 150pF 50V J | |
| | | | | | C3302 | NDC31HJ-101X | C CAPACITOR | 100pF 50V J | |
| | | | | | C3303 | QETN1CM-107Z | E CAPACITOR | 100uF 16V M | |

| △ Symbol No. | Part No. | Part Name | Description | Local | △ Symbol No. | Part No. | Part Name | Description | Local |
|--------------|--------------|--------------|----------------|---|--------------|--------------|-------------|---------------|-----------------------|
| C3304 | QETN1HM-106Z | E CAPACITOR | 10uF 50V M | | C7904 | QEZO778-687 | E CAPACITOR | 680uF | |
| C3400 | QETN1HM-225Z | E CAPACITOR | 2.2uF 50V M | | C7905 | QEZO778-687 | E CAPACITOR | 680uF | |
| C3401 | NDC31HJ-151X | C CAPACITOR | 150pF 50V J | | C7906 | QEZO778-687 | E CAPACITOR | 680uF | |
| C3402 | NDC31HJ-101X | C CAPACITOR | 100pF 50V J | | C7907 | QEZO655-826Z | E CAPACITOR | 82uF 16V M | |
| C3403 | QETN1CM-107Z | E CAPACITOR | 100uF 16V M | | C7908 | QEZO657-396Z | E CAPACITOR | 39uF 35V M | |
| C3404 | QETN1CM-107Z | E CAPACITOR | 100uF 16V M | | C7909 | QETN1HM-226Z | E CAPACITOR | 22uF 50V M | |
| C3500 | QFNC2AJ-223Z | M CAPACITOR | 0.022uF 100V J | 68J,68C,6 8B,68E,68 EN,68EV, 68A,68UJ, 68UW | C7912 | QETN1CM-107Z | E CAPACITOR | 100uF 16V M | |
| | | | | | C9004 | NCB31HK-102X | C CAPACITOR | 1000pF 50V K | |
| | | | | | C9005 | QEKC1EM-106Z | E CAPACITOR | 10uF 25V M | |
| C3501 | QFNC2AJ-104Z | M CAPACITOR | 0.1uF 100V J | 68J,68C,6 8B,68E,68 EN,68EV, 68A,68UJ, 68UW | C9091 | QEKC1HM-476Z | E CAPACITOR | 47uF 50V M | |
| | | | | | C9094 | QETN1HM-475Z | E CAPACITOR | 4.7uF 50V M | |
| | | | | | C9095 | NCB31HK-333X | C CAPACITOR | 0.033uF 50V K | |
| | | | | | C9096 | QEKC1HM-475Z | E CAPACITOR | 4.7uF 50V M | |
| C3502 | QEZO863-336Z | E CAPACITOR | 33uF | 68J,68C,6 8B,68E,68 EN,68EV, 68A,68UJ, 68UW | C9097 | QEKC1HM-475Z | E CAPACITOR | 4.7uF 50V M | |
| | | | | | C9201 | NCB31HK-103X | C CAPACITOR | 0.01uF 50V K | |
| | | | | | C9202 | NCB31HK-103X | C CAPACITOR | 0.01uF 50V K | |
| C3504 | QETN1CM-107Z | E CAPACITOR | 100uF 16V M | 68J,68C,6 8B,68E,68 EN,68EV, 68A,68UJ, 68UW | C9254 | NCB31HK-103X | C CAPACITOR | 0.01uF 50V K | |
| | | | | | C9255 | NCB31HK-103X | C CAPACITOR | 0.01uF 50V K | |
| | | | | | C9401 | QETN1EM-476Z | E CAPACITOR | 47uF 25V M | |
| | | | | | C9402 | QETN1EM-476Z | E CAPACITOR | 47uF 25V M | |
| | | | | | C9403 | QETN1HM-225Z | E CAPACITOR | 2.2uF 50V M | |
| | | | | | C9404 | QETN1HM-225Z | E CAPACITOR | 2.2uF 50V M | |
| | | | | | C9407 | NCB31HK-331X | C CAPACITOR | 330pF 50V K | |
| | | | | | C9408 | NCB31HK-331X | C CAPACITOR | 330pF 50V K | |
| | | | | | C9409 | NCB31HK-103X | C CAPACITOR | 0.01uF 50V K | |
| C3600 | QFVF1HJ-124Z | MF CAPACITOR | 0.12uF 50V J | | C9501 | NCB31CK-104X | C CAPACITOR | 0.1uF 16V K | |
| C3601 | QFNC2AJ-104Z | M CAPACITOR | 0.1uF 100V J | | C9502 | NCB31CK-104X | C CAPACITOR | 0.1uF 16V K | |
| C3602 | QEZO863-336Z | E CAPACITOR | 33uF | | C9503 | NCB31HK-103X | C CAPACITOR | 0.01uF 50V K | |
| C3603 | QETN1HM-106Z | E CAPACITOR | 10uF 50V M | | C9504 | NCB31HK-103X | C CAPACITOR | 0.01uF 50V K | 68B,68E,6 8EN,68EV |
| C3700 | QFVF1HJ-124Z | MF CAPACITOR | 0.12uF 50V J | | | | | | |
| C3701 | QFNC2AJ-104Z | M CAPACITOR | 0.1uF 100V J | | R700 | NRSA63J-271X | MG RESISTOR | 270Ω 1/16W J | |
| C3702 | QEZO863-336Z | E CAPACITOR | 33uF | | R701 | NRSA63J-102X | MG RESISTOR | 1kΩ 1/16W J | |
| C3800 | QFVF1HJ-274Z | MF CAPACITOR | 0.27uF 50V J | | R702 | NRSA63J-821X | MG RESISTOR | 820Ω 1/16W J | |
| C3801 | QFNC2AJ-104Z | M CAPACITOR | 0.1uF 100V J | | R770 | NRSA63J-122X | MG RESISTOR | 1.2kΩ 1/16W J | 68B,68E,6 8EN,68EV |
| C3802 | QEZO863-336Z | E CAPACITOR | 33uF | | | | | | |
| C3811 | QETN1HM-106Z | E CAPACITOR | 10uF 50V M | | R771 | NRSA63J-513X | MG RESISTOR | 51kΩ 1/16W J | |
| C3813 | QETN1HM-105Z | E CAPACITOR | 1uF 50V M | | R772 | NRSA63J-513X | MG RESISTOR | 51kΩ 1/16W J | |
| C3900 | QFVF1HJ-274Z | MF CAPACITOR | 0.27uF 50V J | | R773 | NRSA63J-513X | MG RESISTOR | 51kΩ 1/16W J | |
| C3901 | QFNC2AJ-104Z | M CAPACITOR | 0.1uF 100V J | | R774 | NRSA63J-513X | MG RESISTOR | 51kΩ 1/16W J | |
| C3902 | QEZO863-336Z | E CAPACITOR | 33uF | | R775 | NRSA63J-513X | MG RESISTOR | 51kΩ 1/16W J | |
| C3903 | QETN1CM-107Z | E CAPACITOR | 100uF 16V M | | R776 | NRSA63J-513X | MG RESISTOR | 51kΩ 1/16W J | |
| C7095 | NCB31HK-103X | C CAPACITOR | 0.01uF 50V K | | R3001 | NRSA63J-183X | MG RESISTOR | 18kΩ 1/16W J | |
| C7097 | NCB31HK-103X | C CAPACITOR | 0.01uF 50V K | | R3002 | NRSA63J-183X | MG RESISTOR | 18kΩ 1/16W J | |
| C7100 | NDC31HJ-220X | C CAPACITOR | 22pF 50V J | | R3005 | NRSA63J-684X | MG RESISTOR | 680kΩ 1/16W J | |
| C7101 | NDC31HJ-220X | C CAPACITOR | 22pF 50V J | | R3006 | NRSA63J-103X | MG RESISTOR | 10kΩ 1/16W J | |
| C7102 | NCB31HK-103X | C CAPACITOR | 0.01uF 50V K | | R3007 | NRSA63J-684X | MG RESISTOR | 680kΩ 1/16W J | |
| C7103 | QETN1CM-107Z | E CAPACITOR | 100uF 16V M | | R3008 | NRSA63J-103X | MG RESISTOR | 10kΩ 1/16W J | |
| C7104 | NCB31HK-103X | C CAPACITOR | 0.01uF 50V K | | R3009 | NRSA63J-220X | MG RESISTOR | 22Ω 1/16W J | |
| C7200 | QETN1CM-107Z | E CAPACITOR | 100uF 16V M | | R3010 | NRSA63J-220X | MG RESISTOR | 22Ω 1/16W J | |
| C7201 | NCB31HK-103X | C CAPACITOR | 0.01uF 50V K | | R3011 | NRSA63J-133X | MG RESISTOR | 13kΩ 1/16W J | |
| C7202 | QETN1HM-475Z | E CAPACITOR | 4.7uF 50V M | | R3012 | NRSA63J-133X | MG RESISTOR | 13kΩ 1/16W J | |
| C7203 | NCB31HK-103X | C CAPACITOR | 0.01uF 50V K | | R3013 | NRSA63J-0R0X | MG RESISTOR | 0Ω 1/16W J | |
| C7204 | QETN1HM-106Z | E CAPACITOR | 10uF 50V M | | R3015 | NRSA63J-123X | MG RESISTOR | 12kΩ 1/16W J | |
| C7205 | NCB31HK-103X | C CAPACITOR | 0.01uF 50V K | | R3016 | NRSA63J-123X | MG RESISTOR | 12kΩ 1/16W J | |
| C7300 | NCB31CK-104X | C CAPACITOR | 0.1uF 16V K | | R3050 | NRSA63J-472X | MG RESISTOR | 4.7kΩ 1/16W J | |
| C7301 | NCB31HK-103X | C CAPACITOR | 0.01uF 50V K | | R3051 | NRSA63J-472X | MG RESISTOR | 4.7kΩ 1/16W J | |
| C7302 | QETN1CM-107Z | E CAPACITOR | 100uF 16V M | | R3100 | NRSA63J-471X | MG RESISTOR | 470Ω 1/16W J | |
| C7303 | NCB31HK-332X | C CAPACITOR | 3300pF 50V K | | R3101 | NRSA63J-104X | MG RESISTOR | 100kΩ 1/16W J | |
| C7304 | NCB31HK-332X | C CAPACITOR | 3300pF 50V K | | R3102 | NRSA63J-223X | MG RESISTOR | 22kΩ 1/16W J | |
| C7305 | QEZO863-336Z | E CAPACITOR | 33uF | | R3103 | NRSA63J-223X | MG RESISTOR | 22kΩ 1/16W J | |
| C7306 | QEZO863-336Z | E CAPACITOR | 33uF | | R3104 | NRSA63J-223X | MG RESISTOR | 22kΩ 1/16W J | |
| C7402 | NCB31CK-104X | C CAPACITOR | 0.1uF 16V K | | R3105 | NRSA63J-223X | MG RESISTOR | 22kΩ 1/16W J | |
| C7403 | NDC31HJ-101X | C CAPACITOR | 100pF 50V J | | R3107 | NRSA63J-472X | MG RESISTOR | 4.7kΩ 1/16W J | |
| C7404 | NDC31HJ-101X | C CAPACITOR | 100pF 50V J | | R3201 | NRSA63J-104X | MG RESISTOR | 100kΩ 1/16W J | |
| C7405 | NCB31CK-104X | C CAPACITOR | 0.1uF 16V K | | R3202 | NRSA63J-223X | MG RESISTOR | 22kΩ 1/16W J | |
| C7406 | NCB31CK-104X | C CAPACITOR | 0.1uF 16V K | | R3203 | NRSA63J-223X | MG RESISTOR | 22kΩ 1/16W J | |
| C7407 | NCB31CK-104X | C CAPACITOR | 0.1uF 16V K | | R3204 | NRSA63J-223X | MG RESISTOR | 22kΩ 1/16W J | |
| C7408 | NCB31CK-104X | C CAPACITOR | 0.1uF 16V K | | R3205 | NRSA63J-223X | MG RESISTOR | 22kΩ 1/16W J | |
| C7409 | NDC31HJ-101X | C CAPACITOR | 100pF 50V J | | R3207 | NRSA63J-472X | MG RESISTOR | 4.7kΩ 1/16W J | |
| C7410 | NCB31CK-104X | C CAPACITOR | 0.1uF 16V K | | R3300 | NRSA63J-332X | MG RESISTOR | 3.3kΩ 1/16W J | |
| C7411 | QETN1CM-107Z | E CAPACITOR | 100uF 16V M | | R3301 | NRSA63J-103X | MG RESISTOR | 10kΩ 1/16W J | |
| C7412 | NCB21CK-105X | C CAPACITOR | 1uF 16V K | | R3302 | NRSA63J-332X | MG RESISTOR | 3.3kΩ 1/16W J | |
| C7413 | QETN1CM-107Z | E CAPACITOR | 100uF 16V M | | R3303 | NRSA63J-563X | MG RESISTOR | 56kΩ 1/16W J | |
| C7414 | NCB21CK-105X | C CAPACITOR | 1uF 16V K | | R3305 | NRSA63J-113X | MG RESISTOR | 11kΩ 1/16W J | |
| C7501 | QETN1CM-107Z | E CAPACITOR | 100uF 16V M | | R3306 | NRSA63J-220X | MG RESISTOR | 22Ω 1/16W J | |
| C7502 | QETN1EM-476Z | E CAPACITOR | 47uF 25V M | | R3307 | NRSA63J-222X | MG RESISTOR | 2.2kΩ 1/16W J | |
| C7901 | QEZO779-477 | E CAPACITOR | 470uF | | R3400 | NRSA63J-332X | MG RESISTOR | 3.3kΩ 1/16W J | |
| C7902 | NCB31HK-104X | C CAPACITOR | 0.1uF 50V K | | | | | | |
| C7903 | QEZO778-687 | E CAPACITOR | 680uF | | | | | | |

| △ Symbol No. | Part No. | Part Name | Description | Local | △ Symbol No. | Part No. | Part Name | Description | Local |
|--------------|--------------|-------------|---------------|---|--------------|--------------|-------------|---------------|---|
| R3401 | NRSA63J-103X | MG RESISTOR | 10kΩ 1/16W J | | R3800 | NRSA63J-272X | MG RESISTOR | 2.7kΩ 1/16W J | |
| R3402 | NRSA63J-332X | MG RESISTOR | 3.3kΩ 1/16W J | | R3801 | NRSA63J-222X | MG RESISTOR | 2.2kΩ 1/16W J | |
| R3403 | NRSA63J-563X | MG RESISTOR | 56kΩ 1/16W J | | R3802 | NRSA63J-204X | MG RESISTOR | 200kΩ 1/16W J | |
| R3405 | NRSA63J-113X | MG RESISTOR | 11kΩ 1/16W J | | R3803 | NRSA63J-622X | MG RESISTOR | 6.2kΩ 1/16W J | |
| R3406 | NRSA63J-220X | MG RESISTOR | 22Ω 1/16W J | | R3804 | NRSA63J-224X | MG RESISTOR | 220kΩ 1/16W J | |
| R3407 | NRSA63J-222X | MG RESISTOR | 2.2kΩ 1/16W J | | R3810 | NRSA63J-102X | MG RESISTOR | 1kΩ 1/16W J | |
| R3408 | NRSA63J-222X | MG RESISTOR | 2.2kΩ 1/16W J | | R3811 | NRSA63J-104X | MG RESISTOR | 100kΩ 1/16W J | |
| R3409 | NRSA63J-222X | MG RESISTOR | 2.2kΩ 1/16W J | | R3812 | NRSA63J-154X | MG RESISTOR | 150kΩ 1/16W J | |
| R3410 | NRSA63J-103X | MG RESISTOR | 10kΩ 1/16W J | | R3813 | NRSA63J-432X | MG RESISTOR | 4.3kΩ 1/16W J | 68J,68C,6 8B,68E,68 EN,68EV, 68A,68UJ, 68UW |
| R3411 | NRSA63J-222X | MG RESISTOR | 2.2kΩ 1/16W J | | | | | | |
| R3412 | NRSA63J-222X | MG RESISTOR | 2.2kΩ 1/16W J | | | | | | |
| R3502 | NRSA63J-223X | MG RESISTOR | 22kΩ 1/16W J | 68J,68C,6 8B,68E,68 EN,68EV, 68A,68UJ, 68UW | R3813 | NRSA63J-682X | MG RESISTOR | 6.8kΩ 1/16W J | 38J,38C |
| | | | | | R3814 | NRSA63J-0R0X | MG RESISTOR | 0Ω 1/16W J | |
| R3503 | NRSA63J-332X | MG RESISTOR | 3.3kΩ 1/16W J | 68J,68C,6 8B,68E,68 EN,68EV, 68A,68UJ, 68UW | R3900 | NRSA63J-272X | MG RESISTOR | 2.7kΩ 1/16W J | |
| | | | | | R3901 | NRSA63J-222X | MG RESISTOR | 2.2kΩ 1/16W J | |
| R3504 | NRSA63J-473X | MG RESISTOR | 47kΩ 1/16W J | 68J,68C,6 8B,68E,68 EN,68EV, 68A,68UJ, 68UW | R3902 | NRSA63J-204X | MG RESISTOR | 200kΩ 1/16W J | |
| | | | | | R3903 | NRSA63J-622X | MG RESISTOR | 6.2kΩ 1/16W J | |
| R3505 | NRSA63J-272X | MG RESISTOR | 2.7kΩ 1/16W J | 68J,68C,6 8B,68E,68 EN,68EV, 68A,68UJ, 68UW | R3904 | NRSA63J-224X | MG RESISTOR | 220kΩ 1/16W J | |
| | | | | | R7017 | NRSA63J-103X | MG RESISTOR | 10kΩ 1/16W J | |
| R3506 | NRSA63J-472X | MG RESISTOR | 4.7kΩ 1/16W J | 68J,68C,6 8B,68E,68 EN,68EV, 68A,68UJ, 68UW | R7019 | NRSA63J-331X | MG RESISTOR | 330Ω 1/16W J | |
| | | | | | R7020 | NRSA63J-331X | MG RESISTOR | 330Ω 1/16W J | |
| R3507 | NRSA63J-473X | MG RESISTOR | 47kΩ 1/16W J | 68J,68C,6 8B,68E,68 EN,68EV, 68A,68UJ, 68UW | R7023 | NRSA63J-331X | MG RESISTOR | 330Ω 1/16W J | |
| | | | | | R7024 | NRSA63J-331X | MG RESISTOR | 330Ω 1/16W J | |
| R3508 | NRSA63J-473X | MG RESISTOR | 47kΩ 1/16W J | 68J,68C,6 8B,68E,68 EN,68EV, 68A,68UJ, 68UW | R7025 | NRSA63J-331X | MG RESISTOR | 330Ω 1/16W J | |
| | | | | | R7028 | NRSA63J-331X | MG RESISTOR | 330Ω 1/16W J | |
| R3509 | NRSA63J-363X | MG RESISTOR | 36kΩ 1/16W J | 68J,68C,6 8B,68E,68 EN,68EV, 68A,68UJ, 68UW | R7029 | NRSA63J-331X | MG RESISTOR | 330Ω 1/16W J | |
| | | | | | R7030 | NRSA63J-331X | MG RESISTOR | 330Ω 1/16W J | |
| R3510 | NRSA63J-223X | MG RESISTOR | 22kΩ 1/16W J | 68J,68C,6 8B,68E,68 EN,68EV, 68A,68UJ, 68UW | R7031 | NRSA63J-331X | MG RESISTOR | 330Ω 1/16W J | |
| | | | | | R7033 | NRSA63J-331X | MG RESISTOR | 330Ω 1/16W J | |
| R3600 | NRSA63J-124X | MG RESISTOR | 120kΩ 1/16W J | | R7034 | NRSA63J-331X | MG RESISTOR | 330Ω 1/16W J | |
| R3601 | NRSA63J-432X | MG RESISTOR | 4.3kΩ 1/16W J | 68J,68C,6 8B,68E,68 EN,68EV, 68A,68UJ, 68UW | R7035 | NRSA63J-331X | MG RESISTOR | 330Ω 1/16W J | |
| | | | | | R7036 | NRSA63J-331X | MG RESISTOR | 330Ω 1/16W J | |
| R3601 | NRSA63J-392X | MG RESISTOR | 3.9kΩ 1/16W J | 38J,38C | R7037 | NRSA63J-331X | MG RESISTOR | 330Ω 1/16W J | |
| R3602 | NRSA63J-222X | MG RESISTOR | 2.2kΩ 1/16W J | | R7039 | NRSA63J-331X | MG RESISTOR | 330Ω 1/16W J | |
| R3603 | NRSA63J-222X | MG RESISTOR | 2.2kΩ 1/16W J | | R7040 | NRSA63J-331X | MG RESISTOR | 330Ω 1/16W J | |
| R3604 | NRSA63J-473X | MG RESISTOR | 47kΩ 1/16W J | | R7043 | NRSA63J-331X | MG RESISTOR | 330Ω 1/16W J | |
| R3605 | NRSA63J-103X | MG RESISTOR | 10kΩ 1/16W J | | R7044 | NRSA63J-331X | MG RESISTOR | 330Ω 1/16W J | |
| R3606 | NRSA63J-224X | MG RESISTOR | 220kΩ 1/16W J | | R7045 | NRSA63J-331X | MG RESISTOR | 330Ω 1/16W J | |
| R3608 | NRSA63J-222X | MG RESISTOR | 2.2kΩ 1/16W J | | R7047 | NRSA63J-331X | MG RESISTOR | 330Ω 1/16W J | |
| R3609 | NRSA63J-222X | MG RESISTOR | 2.2kΩ 1/16W J | | R7048 | NRSA63J-331X | MG RESISTOR | 330Ω 1/16W J | |
| R3610 | NRSA63J-103X | MG RESISTOR | 10kΩ 1/16W J | | R7049 | NRSA63J-331X | MG RESISTOR | 330Ω 1/16W J | |
| R3700 | NRSA63J-124X | MG RESISTOR | 120kΩ 1/16W J | | R7050 | NRSA63J-331X | MG RESISTOR | 330Ω 1/16W J | |
| R3701 | NRSA63J-432X | MG RESISTOR | 4.3kΩ 1/16W J | 68J,68C,6 8B,68E,68 EN,68EV, 68A,68UJ, 68UW | R7052 | NRSA63J-331X | MG RESISTOR | 330Ω 1/16W J | |
| | | | | | R7053 | NRSA63J-331X | MG RESISTOR | 330Ω 1/16W J | |
| R3701 | NRSA63J-392X | MG RESISTOR | 3.9kΩ 1/16W J | 38J,38C | R7055 | NRSA63J-331X | MG RESISTOR | 330Ω 1/16W J | |
| R3702 | NRSA63J-222X | MG RESISTOR | 2.2kΩ 1/16W J | | R7056 | NRSA63J-331X | MG RESISTOR | 330Ω 1/16W J | |
| R3703 | NRSA63J-222X | MG RESISTOR | 2.2kΩ 1/16W J | | R7057 | NRSA63J-331X | MG RESISTOR | 330Ω 1/16W J | |
| R3704 | NRSA63J-473X | MG RESISTOR | 47kΩ 1/16W J | | R7058 | NRSA63J-331X | MG RESISTOR | 330Ω 1/16W J | |
| R3705 | NRSA63J-103X | MG RESISTOR | 10kΩ 1/16W J | | R7059 | NRSA63J-331X | MG RESISTOR | 330Ω 1/16W J | |
| R3706 | NRSA63J-224X | MG RESISTOR | 220kΩ 1/16W J | | R7060 | NRSA63J-331X | MG RESISTOR | 330Ω 1/16W J | |
| | | | | | R7061 | NRSA63J-331X | MG RESISTOR | 330Ω 1/16W J | |
| | | | | | R7065 | NRSA63J-331X | MG RESISTOR | 330Ω 1/16W J | |
| | | | | | R7066 | NRSA63J-331X | MG RESISTOR | 330Ω 1/16W J | |
| | | | | | R7067 | NRSA63J-331X | MG RESISTOR | 330Ω 1/16W J | |
| | | | | | R7069 | NRSA63J-331X | MG RESISTOR | 330Ω 1/16W J | |
| | | | | | R7070 | NRSA63J-331X | MG RESISTOR | 330Ω 1/16W J | |
| | | | | | R7071 | NRSA63J-331X | MG RESISTOR | 330Ω 1/16W J | |
| | | | | | R7072 | NRSA63J-331X | MG RESISTOR | 330Ω 1/16W J | |
| | | | | | R7073 | NRSA63J-331X | MG RESISTOR | 330Ω 1/16W J | |
| | | | | | R7074 | NRSA63J-331X | MG RESISTOR | 330Ω 1/16W J | |
| | | | | | R7075 | NRSA63J-331X | MG RESISTOR | 330Ω 1/16W J | |
| | | | | | R7077 | NRSA63J-331X | MG RESISTOR | 330Ω 1/16W J | |
| | | | | | R7078 | NRSA63J-331X | MG RESISTOR | 330Ω 1/16W J | |
| | | | | | R7079 | NRSA63J-331X | MG RESISTOR | 330Ω 1/16W J | |
| | | | | | R7080 | NRSA63J-331X | MG RESISTOR | 330Ω 1/16W J | |
| | | | | | R7081 | NRSA63J-331X | MG RESISTOR | 330Ω 1/16W J | |
| | | | | | R7082 | NRSA63J-331X | MG RESISTOR | 330Ω 1/16W J | |
| | | | | | R7083 | NRSA63J-331X | MG RESISTOR | 330Ω 1/16W J | |
| | | | | | R7084 | NRSA63J-331X | MG RESISTOR | 330Ω 1/16W J | |
| | | | | | R7087 | NRSA63J-331X | MG RESISTOR | 330Ω 1/16W J | |
| | | | | | R7088 | NRSA63J-331X | MG RESISTOR | 330Ω 1/16W J | |
| | | | | | R7089 | NRSA63J-331X | MG RESISTOR | 330Ω 1/16W J | |
| | | | | | R7090 | NRSA63J-102X | MG RESISTOR | 1kΩ 1/16W J | |
| | | | | | R7092 | NRSA63J-331X | MG RESISTOR | 330Ω 1/16W J | |
| | | | | | R7094 | NRSA63J-331X | MG RESISTOR | 330Ω 1/16W J | |
| | | | | | R7095 | NRSA63J-331X | MG RESISTOR | 330Ω 1/16W J | |
| | | | | | R7097 | NRSA63J-331X | MG RESISTOR | 330Ω 1/16W J | |

| △ Symbol No. | Part No. | Part Name | Description | Local | △ Symbol No. | Part No. | Part Name | Description | Local |
|--------------|--------------|----------------|---------------|---|--------------|-----------------|-----------------|----------------|---|
| R7098 | NRSA63J-103X | MG RESISTOR | 10kΩ 1/16W J | | R9401 | NRSA63J-472X | MG RESISTOR | 4.7kΩ 1/16W J | |
| R7099 | NRSA63J-512X | MG RESISTOR | 5.1kΩ 1/16W J | | R9402 | NRSA63J-472X | MG RESISTOR | 4.7kΩ 1/16W J | |
| R7101 | NRSA63J-103X | MG RESISTOR | 10kΩ 1/16W J | | R9403 | NRSA63J-104X | MG RESISTOR | 100kΩ 1/16W J | |
| R7122 | NRSA63J-103X | MG RESISTOR | 10kΩ 1/16W J | | R9404 | NRSA63J-104X | MG RESISTOR | 100kΩ 1/16W J | |
| R7128 | NRSA63J-103X | MG RESISTOR | 10kΩ 1/16W J | | R9407 | NRSA63J-563X | MG RESISTOR | 56kΩ 1/16W J | |
| R7130 | NRSA63J-103X | MG RESISTOR | 10kΩ 1/16W J | | R9408 | NRSA63J-563X | MG RESISTOR | 56kΩ 1/16W J | |
| R7142 | NRSA63J-103X | MG RESISTOR | 10kΩ 1/16W J | | R9409 | NRSA63J-243X | MG RESISTOR | 24kΩ 1/16W J | |
| R7143 | NRSA63J-103X | MG RESISTOR | 10kΩ 1/16W J | | R9410 | NRSA63J-243X | MG RESISTOR | 24kΩ 1/16W J | |
| R7144 | NRSA63J-103X | MG RESISTOR | 10kΩ 1/16W J | | R9411 | NRSA63J-102X | MG RESISTOR | 1kΩ 1/16W J | |
| R7147 | NRSA63J-103X | MG RESISTOR | 10kΩ 1/16W J | | R9501 | NRSA63J-102X | MG RESISTOR | 1kΩ 1/16W J | |
| R7149 | NRSA63J-103X | MG RESISTOR | 10kΩ 1/16W J | | L9501 | QLL244K-220Z | P COIL | 22uH K | 68B,68E,6 8EN,68EV |
| R7152 | NRSA63J-103X | MG RESISTOR | 10kΩ 1/16W J | | L9502 | QLL244K-220Z | P COIL | 22uH K | 68B,68E,6 8EN,68EV |
| R7160 | NRSA63J-103X | MG RESISTOR | 10kΩ 1/16W J | | T700 | QQS0423-001 | SW TRANSF | | |
| R7162 | NRSA63J-103X | MG RESISTOR | 10kΩ 1/16W J | 68J,68C,6 8B,68E,68 EN,68EV, 68A,68UJ, 68UW | CN301 | QGB2510K2-09 | CONNECTOR | B-B (1-9) | |
| R7164 | NRSA63J-103X | MG RESISTOR | 10kΩ 1/16W J | | CN700 | QGF1208C1-11 | CONNECTOR | FFC/FPC (1-11) | |
| R7170 | NRSA63J-103X | MG RESISTOR | 10kΩ 1/16W J | | CN701 | QGF1208C1-13 | CONNECTOR | FFC/FPC (1-13) | |
| R7172 | NRSA63J-103X | MG RESISTOR | 10kΩ 1/16W J | | CN702 | QGA2001C1-08 | CONNECTOR | W-B (1-8) | |
| R7173 | NRSA63J-103X | MG RESISTOR | 10kΩ 1/16W J | | CN703 | QGF1208C1-11 | CONNECTOR | FFC/FPC (1-11) | |
| R7185 | NRSA63J-103X | MG RESISTOR | 10kΩ 1/16W J | | CN704 | QGB2510K2-08 | CONNECTOR | B-B (1-8) | |
| R7186 | NRSA63J-103X | MG RESISTOR | 10kΩ 1/16W J | | CN705 | QGD2504C1-05Z | CONNECTOR | (1-5) | |
| R7194 | NRSA63J-103X | MG RESISTOR | 10kΩ 1/16W J | | CN706 | QGA2501C1-03 | CONNECTOR | W-B (1-3) | |
| R7195 | NRSA63J-103X | MG RESISTOR | 10kΩ 1/16W J | | CN707 | QGF1208C1-11 | CONNECTOR | FFC/FPC (1-11) | 68J,68C,6 8A,68UJ,6 8UW,38J, 38C |
| R7197 | NRSA63J-103X | MG RESISTOR | 10kΩ 1/16W J | | CN707 | QGF1208C1-15 | CONNECTOR | FFC/FPC (1-15) | 68B,68E,6 8EN,68EV |
| R7204 | NRSA63J-101X | MG RESISTOR | 100Ω 1/16W J | | CN708 | QGF1040C1-19 | CONNECTOR | FFC/FPC (1-19) | |
| R7205 | NRSA63J-104X | MG RESISTOR | 100kΩ 1/16W J | | CN709 | QGF1040C1-05 | CONNECTOR | FFC/FPC (1-5) | |
| R7206 | NRSA63J-103X | MG RESISTOR | 10kΩ 1/16W J | | CN901 | QGF1208F1-11 | CONNECTOR | FFC/FPC (1-11) | |
| R7300 | NRSA63J-103X | MG RESISTOR | 10kΩ 1/16W J | 68J,68C,3 8J,38C | CN920 | QGF1208F1-13 | CONNECTOR | FFC/FPC (1-13) | |
| R7300 | NRSA63J-332X | MG RESISTOR | 3.3kΩ 1/16W J | 68A | CN951 | QGD2504C1-04Z | CONNECTOR | (1-4) | |
| R7300 | NRSA63J-822X | MG RESISTOR | 8.2kΩ 1/16W J | 68UJ | EP700 | E409182-001SM | GRAND TERMINAL | | |
| R7300 | NRSA63J-153X | MG RESISTOR | 15kΩ 1/16W J | 68UW | FL900 | QLF0193-001 | FL TUBE | | |
| R7301 | NRSA63J-103X | MG RESISTOR | 10kΩ 1/16W J | 68B,68E,6 8EN,68EV ,68A,68UJ ,68UW | FW700 | QJK009-061901-E | SIN CR C-B WIRE | | |
| R7302 | NRSA63J-681X | MG RESISTOR | 680Ω 1/16W J | | FW920 | QUM024-09DGZ4-E | FLAT WIRE | | |
| R7303 | NRSA63J-681X | MG RESISTOR | 680Ω 1/16W J | | FW941 | QUM155-09DGZ4-E | FLAT WIRE | | |
| R7304 | NRSA63J-123X | MG RESISTOR | 12kΩ 1/16W J | | J940 | QNS0188-001 | JACK | | |
| R7305 | NRSA63J-123X | MG RESISTOR | 12kΩ 1/16W J | | J950 | QNS0188-001 | JACK | | |
| R7309 | NRSA63J-473X | MG RESISTOR | 47kΩ 1/16W J | | JS920 | QSW1060-001 | ROTARY SW | | |
| R7310 | NRSA63J-102X | MG RESISTOR | 1kΩ 1/16W J | | K7400 | NRSA63J-0R0X | MG RESISTOR | 0Ω 1/16W J | |
| R7311 | NRSA63J-103X | MG RESISTOR | 10kΩ 1/16W J | | K7401 | NRSA63J-0R0X | MG RESISTOR | 0Ω 1/16W J | |
| R7312 | NRSA63J-183X | MG RESISTOR | 18kΩ 1/16W J | | K7402 | NRSA63J-0R0X | MG RESISTOR | 0Ω 1/16W J | |
| R7400 | NRSA63J-102X | MG RESISTOR | 1kΩ 1/16W J | | K7403 | NRSA63J-0R0X | MG RESISTOR | 0Ω 1/16W J | |
| R7401 | NRSA63J-103X | MG RESISTOR | 10kΩ 1/16W J | | K7404 | NRSA63J-0R0X | MG RESISTOR | 0Ω 1/16W J | |
| R7501 | QRJ146J-100X | UNF C RESISTOR | 10Ω 1/4W J | | K7405 | NRSA63J-0R0X | MG RESISTOR | 0Ω 1/16W J | |
| R7502 | NRSA63J-103X | MG RESISTOR | 10kΩ 1/16W J | | K7406 | NRSA63J-0R0X | MG RESISTOR | 0Ω 1/16W J | |
| R7503 | NRSA63J-821X | MG RESISTOR | 820Ω 1/16W J | | K7407 | NRSA63J-0R0X | MG RESISTOR | 0Ω 1/16W J | |
| R7505 | NRSA63J-221X | MG RESISTOR | 220Ω 1/16W J | | K9401 | NQR0627-004X | FERRITE | | |
| R7600 | NRSA63J-103X | MG RESISTOR | 10kΩ 1/16W J | | K9402 | NQR0627-004X | FERRITE | | |
| R7901 | NRSA63J-152X | MG RESISTOR | 1.5kΩ 1/16W J | | K9403 | NQR0627-004X | FERRITE | | |
| R7903 | NRSA63J-201X | MG RESISTOR | 200Ω 1/16W J | | K9404 | NQR0627-004X | FERRITE | | |
| R7904 | QRK126J-101X | UNF C RESISTOR | 100Ω 1/2W J | | K9405 | NRSA63J-0R0X | MG RESISTOR | 0Ω 1/16W J | |
| R9001 | NRSA63J-823X | MG RESISTOR | 82kΩ 1/16W J | | K9501 | QQR0621-001Z | FERRITE BEADS | | 68B,68E,6 8EN,68EV |
| R9002 | NRSA63J-102X | MG RESISTOR | 1kΩ 1/16W J | | S9051 | QSW0683-001Z | PUSH SW | | |
| R9003 | NRSA63J-102X | MG RESISTOR | 1kΩ 1/16W J | | S9052 | QSW0683-001Z | PUSH SW | | |
| R9004 | NRSA63J-102X | MG RESISTOR | 1kΩ 1/16W J | | S9053 | QSW0683-001Z | PUSH SW | | |
| R9005 | NRSA63J-103X | MG RESISTOR | 10kΩ 1/16W J | | S9054 | QSW0683-001Z | PUSH SW | | |
| R9051 | NRSA63J-242X | MG RESISTOR | 2.4kΩ 1/16W J | | S9055 | QSW0683-001Z | PUSH SW | | |
| R9052 | NRSA63J-332X | MG RESISTOR | 3.3kΩ 1/16W J | | S9056 | QSW0683-001Z | PUSH SW | | |
| R9053 | NRSA63J-512X | MG RESISTOR | 5.1kΩ 1/16W J | | S9057 | QSW0683-001Z | PUSH SW | | |
| R9054 | NRSA63J-912X | MG RESISTOR | 9.1kΩ 1/16W J | | S9221 | QSW0683-001Z | PUSH SW | | |
| R9055 | NRSA63J-223X | MG RESISTOR | 22kΩ 1/16W J | | S9222 | QSW0683-001Z | PUSH SW | | |
| R9056 | NRSA63J-222X | MG RESISTOR | 2.2kΩ 1/16W J | | S9223 | QSW0683-001Z | PUSH SW | | |
| R9201 | NRSA63J-221X | MG RESISTOR | 220Ω 1/16W J | | S9224 | QSW0683-001Z | PUSH SW | | |
| R9221 | NRSA63J-242X | MG RESISTOR | 2.4kΩ 1/16W J | | S9225 | QSW0683-001Z | PUSH SW | | |
| R9222 | NRSA63J-222X | MG RESISTOR | 2.2kΩ 1/16W J | | S9226 | QSW0683-001Z | PUSH SW | | |
| R9223 | NRSA63J-332X | MG RESISTOR | 3.3kΩ 1/16W J | | S9227 | QSW0683-001Z | PUSH SW | | |
| R9224 | NRSA63J-512X | MG RESISTOR | 5.1kΩ 1/16W J | | X7100 | QAX0711-002Z | CRYSTAL | 8.000000MHz | |
| R9225 | NRSA63J-912X | MG RESISTOR | 9.1kΩ 1/16W J | | | | | | |
| R9226 | NRSA63J-223X | MG RESISTOR | 22kΩ 1/16W J | | | | | | |
| R9257 | NRSA63J-820X | MG RESISTOR | 82Ω 1/16W J | | | | | | |
| R9258 | NRSA63J-104X | MG RESISTOR | 100kΩ 1/16W J | | | | | | |
| R9259 | NRSA63J-820X | MG RESISTOR | 82Ω 1/16W J | | | | | | |
| R9260 | NRSA63J-104X | MG RESISTOR | 100kΩ 1/16W J | | | | | | |

Main board

Block No. [0][2]

| Symbol No. | Part No. | Part Name | Description | Local |
|------------|--------------|-----------------|---------------|---|
| IC501 | TDA8920BJ/N2 | POWER IC | | 68J,68C,68 B,68E,68E N,68EV,68 A,68UJ,68 UW |
| IC510 | TDA8920BJ/N2 | POWER IC | | |
| IC560 | 74HCU04PW-X | IC | | |
| IC561 | HEF4013BT-X | IC | | |
| IC570 | RT3CLLM/EF-X | TRANSISTOR | | |
| Q5100 | RT6N230C-X | DIGI TRANSISTOR | | |
| Q5600 | KRC101S-X | TRANSISTOR | | |
| D5120 | MA111-X | SI DIODE | | |
| D5130 | MA111-X | SI DIODE | | |
| D5131 | MA111-X | SI DIODE | | |
| D5198 | MA111-X | SI DIODE | | |
| D5398 | MA111-X | SI DIODE | | 68J,68C,68 B,68E,68E N,68EV,68 A,68UJ,68 UW |
| D5601 | MA111-X | SI DIODE | | |
| D5602 | MA111-X | SI DIODE | | |
| D5701 | MA111-X | SI DIODE | | |
| D5801 | MC2838-X | DIODE | | |
| D5802 | MC2838-X | DIODE | | 68J,68C,68 B,68E,68E N,68EV,68 A,68UJ,68 UW |
| D5803 | MA8033-X | Z DIODE | | |
| D5901 | MC2838-X | DIODE | | |
| C5001 | NCB31HK-104X | C CAPACITOR | 0.1uF 50V K | |
| C5002 | NCB31HK-104X | C CAPACITOR | 0.1uF 50V K | |
| C5005 | QETM1VM-228 | E CAPACITOR | 2200uF 35V M | |
| C5006 | QETM1VM-228 | E CAPACITOR | 2200uF 35V M | |
| C5009 | QETN1VM-477Z | E CAPACITOR | 470uF 35V M | |
| C5010 | QETN1VM-477Z | E CAPACITOR | 470uF 35V M | |
| C5011 | QETN1VM-477Z | E CAPACITOR | 470uF 35V M | |
| C5012 | QETN1VM-477Z | E CAPACITOR | 470uF 35V M | |
| C5091 | NRSA63J-0R0X | MG RESISTOR | 0Ω 1/16W J | 68J,68C,68 B,68E,68E N,68EV,68 A,68UJ,68 UW |
| C5094 | NCB31HK-153X | C CAPACITOR | 0.015uF 50V K | |
| C5095 | NCB31HK-153X | C CAPACITOR | 0.015uF 50V K | |
| C5096 | NCB31HK-153X | C CAPACITOR | 0.015uF 50V K | |
| C5097 | NCB31HK-153X | C CAPACITOR | 0.015uF 50V K | |
| C5098 | NCB31HK-153X | C CAPACITOR | 0.015uF 50V K | 68J,68C,68 B,68E,68E N,68EV,68 A,68UJ,68 UW |
| C5099 | NCB31HK-153X | C CAPACITOR | 0.015uF 50V K | 68J,68C,68 B,68E,68E N,68EV,68 A,68UJ,68 UW |
| C5101 | NDC31HJ-221X | C CAPACITOR | 220pF 50V J | |
| C5102 | NCB31CK-474X | C CAPACITOR | 0.47uF 16V K | |
| C5103 | NCB31CK-474X | C CAPACITOR | 0.47uF 16V K | |
| C5106 | NCB31HK-104X | C CAPACITOR | 0.1uF 50V K | |
| C5107 | NCB31HK-104X | C CAPACITOR | 0.1uF 50V K | |
| C5108 | NDC31HJ-221X | C CAPACITOR | 220pF 50V J | |
| C5109 | NCB31HK-153X | C CAPACITOR | 0.015uF 50V K | |
| C5110 | NCB31HK-104X | C CAPACITOR | 0.1uF 50V K | |
| C5111 | NCB31HK-104X | C CAPACITOR | 0.1uF 50V K | |
| C5112 | NCZ1061-104X | C CAPACITOR | 0.1uF 100V K | |
| C5113 | QETN1JM-476Z | E CAPACITOR | 47uF 63V M | |
| C5114 | NDC31HJ-471X | C CAPACITOR | 470pF 50V J | |
| C5116 | NCB31HK-104X | C CAPACITOR | 0.1uF 50V K | |
| C5127 | QFVF1HJ-684Z | MF CAPACITOR | 0.68uF 50V J | |
| C5128 | NCB31HK-104X | C CAPACITOR | 0.1uF 50V K | |
| C5198 | QETN1HM-106Z | E CAPACITOR | 10uF 50V M | |
| C5201 | NDC31HJ-221X | C CAPACITOR | 220pF 50V J | |
| C5202 | NCB31CK-474X | C CAPACITOR | 0.47uF 16V K | |
| C5203 | NCB31CK-474X | C CAPACITOR | 0.47uF 16V K | |
| C5206 | NCB31HK-104X | C CAPACITOR | 0.1uF 50V K | |
| C5207 | NCB31HK-104X | C CAPACITOR | 0.1uF 50V K | |
| C5209 | NCB31HK-153X | C CAPACITOR | 0.015uF 50V K | |
| C5210 | NCB31HK-104X | C CAPACITOR | 0.1uF 50V K | |
| C5211 | NCB31HK-104X | C CAPACITOR | 0.1uF 50V K | |
| C5212 | NCZ1061-104X | C CAPACITOR | 0.1uF 100V K | |
| C5214 | NDC31HJ-471X | C CAPACITOR | 470pF 50V J | |
| C5227 | QFVF1HJ-684Z | MF CAPACITOR | 0.68uF 50V J | |
| C5228 | NCB31HK-104X | C CAPACITOR | 0.1uF 50V K | |
| C5301 | NDC31HJ-221X | C CAPACITOR | 220pF 50V J | 68J,68C,68 B,68E,68E N,68EV,68 A,68UJ,68 UW |
| C5302 | NCB31CK-474X | C CAPACITOR | 0.47uF 16V K | 68J,68C,68 B,68E,68E N,68EV,68 A,68UJ,68 UW |
| C5303 | NCB31CK-474X | C CAPACITOR | 0.47uF 16V K | 68J,68C,68 B,68E,68E N,68EV,68 A,68UJ,68 UW |
| C5306 | NCB31HK-104X | C CAPACITOR | 0.1uF 50V K | 68J,68C,68 B,68E,68E N,68EV,68 A,68UJ,68 UW |
| C5307 | NCB31HK-104X | C CAPACITOR | 0.1uF 50V K | 68J,68C,68 B,68E,68E N,68EV,68 A,68UJ,68 UW |
| C5308 | NDC31HJ-221X | C CAPACITOR | 220pF 50V J | 68J,68C,68 B,68E,68E N,68EV,68 A,68UJ,68 UW |
| C5309 | NCB31HK-153X | C CAPACITOR | 0.015uF 50V K | 68J,68C,68 B,68E,68E N,68EV,68 A,68UJ,68 UW |
| C5310 | NCB31HK-104X | C CAPACITOR | 0.1uF 50V K | 68J,68C,68 B,68E,68E N,68EV,68 A,68UJ,68 UW |
| C5311 | NCB31HK-104X | C CAPACITOR | 0.1uF 50V K | 68J,68C,68 B,68E,68E N,68EV,68 A,68UJ,68 UW |
| C5312 | NCZ1061-104X | C CAPACITOR | 0.1uF 100V K | 68J,68C,68 B,68E,68E N,68EV,68 A,68UJ,68 UW |
| C5313 | QETN1JM-476Z | E CAPACITOR | 47uF 63V M | 68J,68C,68 B,68E,68E N,68EV,68 A,68UJ,68 UW |
| C5314 | NDC31HJ-471X | C CAPACITOR | 470pF 50V J | 68J,68C,68 B,68E,68E N,68EV,68 A,68UJ,68 UW |
| C5316 | NCB31HK-104X | C CAPACITOR | 0.1uF 50V K | 68J,68C,68 B,68E,68E N,68EV,68 A,68UJ,68 UW |
| C5327 | QFVF1HJ-684Z | MF CAPACITOR | 0.68uF 50V J | 68J,68C,68 B,68E,68E N,68EV,68 A,68UJ,68 UW |

| △ Symbol No. | Part No. | Part Name | Description | Local | △ Symbol No. | Part No. | Part Name | Description | Local |
|--------------|--------------|--------------|---------------|--|--------------|--------------|--------------|---------------|--|
| C5328 | NCB31HK-104X | C CAPACITOR | 0.1uF 50V K | 68J,68C,68B,68E,68E N,68EV,68A,68UJ,68UW | R5002 | NRS144J-100X | MG RESISTOR | 10Ω 1/4W J | 68J,68C,68B,68E,68E N,68EV,68A,68UJ,68UW |
| C5398 | QETN1HM-106Z | E CAPACITOR | 10uF 50V M | 68J,68C,68B,68E,68E N,68EV,68A,68UJ,68UW | R5003 | NRS144J-100X | MG RESISTOR | 10Ω 1/4W J | |
| C5401 | NDC31HJ-221X | C CAPACITOR | 220pF 50V J | 68J,68C,68B,68E,68E N,68EV,68A,68UJ,68UW | R5004 | NRS144J-100X | MG RESISTOR | 10Ω 1/4W J | |
| C5406 | NCB31HK-104X | C CAPACITOR | 0.1uF 50V K | 68J,68C,68B,68E,68E N,68EV,68A,68UJ,68UW | R5101 | NRSA63J-562X | MG RESISTOR | 5.6kΩ 1/16W J | |
| C5407 | NCB31HK-104X | C CAPACITOR | 0.1uF 50V K | 68J,68C,68B,68E,68E N,68EV,68A,68UJ,68UW | R5102 | NRSA63J-562X | MG RESISTOR | 5.6kΩ 1/16W J | |
| C5409 | NCB31HK-153X | C CAPACITOR | 0.015uF 50V K | 68J,68C,68B,68E,68E N,68EV,68A,68UJ,68UW | R5103 | NRS144J-100X | MG RESISTOR | 10Ω 1/4W J | |
| C5410 | NCB31HK-104X | C CAPACITOR | 0.1uF 50V K | 68J,68C,68B,68E,68E N,68EV,68A,68UJ,68UW | R5128 | QRL01DJ-220X | OMF RESISTOR | 22Ω 1W J | |
| C5411 | NCB31HK-104X | C CAPACITOR | 0.1uF 50V K | 68J,68C,68B,68E,68E N,68EV,68A,68UJ,68UW | R5198 | NRSA63J-101X | MG RESISTOR | 100Ω 1/16W J | |
| C5412 | NCZ1061-104X | C CAPACITOR | 0.1uF 100V K | 68J,68C,68B,68E,68E N,68EV,68A,68UJ,68UW | R5199 | NRSA63J-105X | MG RESISTOR | 1MΩ 1/16W J | |
| C5414 | NDC31HJ-471X | C CAPACITOR | 470pF 50V J | 68J,68C,68B,68E,68E N,68EV,68A,68UJ,68UW | R5201 | NRSA63J-562X | MG RESISTOR | 5.6kΩ 1/16W J | |
| C5427 | QFVF1HJ-684Z | MF CAPACITOR | 0.68uF 50V J | 68J,68C,68B,68E,68E N,68EV,68A,68UJ,68UW | R5202 | NRSA63J-562X | MG RESISTOR | 5.6kΩ 1/16W J | |
| C5428 | NCB31HK-104X | C CAPACITOR | 0.1uF 50V K | 68J,68C,68B,68E,68E N,68EV,68A,68UJ,68UW | R5203 | NRS144J-100X | MG RESISTOR | 10Ω 1/4W J | |
| C5601 | NCB31HK-103X | C CAPACITOR | 0.01uF 50V K | | R5228 | QRL01DJ-220X | OMF RESISTOR | 22Ω 1W J | |
| C5602 | NCB31HK-103X | C CAPACITOR | 0.01uF 50V K | | R5299 | NRSA63J-105X | MG RESISTOR | 1MΩ 1/16W J | |
| C5603 | NDC31HJ-101X | C CAPACITOR | 100pF 50V J | | R5301 | NRSA63J-562X | MG RESISTOR | 5.6kΩ 1/16W J | 68J,68C,68B,68E,68E N,68EV,68A,68UJ,68UW |
| C5604 | NDC31HJ-101X | C CAPACITOR | 100pF 50V J | | R5302 | NRSA63J-562X | MG RESISTOR | 5.6kΩ 1/16W J | 68J,68C,68B,68E,68E N,68EV,68A,68UJ,68UW |
| C5605 | NDC31HJ-101X | C CAPACITOR | 100pF 50V J | | R5303 | NRS144J-100X | MG RESISTOR | 10Ω 1/4W J | 68J,68C,68B,68E,68E N,68EV,68A,68UJ,68UW |
| C5606 | NDC31HJ-101X | C CAPACITOR | 100pF 50V J | | R5348 | QRL01DJ-220X | OMF RESISTOR | 22Ω 1W J | 68J,68C,68B,68E,68E N,68EV,68A,68UJ,68UW |
| C5607 | NDC31HJ-470X | C CAPACITOR | 47pF 50V J | | R5398 | NRSA63J-101X | MG RESISTOR | 100Ω 1/16W J | 68J,68C,68B,68E,68E N,68EV,68A,68UJ,68UW |
| C5608 | NDC31HJ-470X | C CAPACITOR | 47pF 50V J | | R5399 | NRSA63J-105X | MG RESISTOR | 1MΩ 1/16W J | 68J,68C,68B,68E,68E N,68EV,68A,68UJ,68UW |
| C5609 | NCB31CK-104X | C CAPACITOR | 0.1uF 16V K | | R5403 | NRS144J-100X | MG RESISTOR | 10Ω 1/4W J | 68J,68C,68B,68E,68E N,68EV,68A,68UJ,68UW |
| C5610 | QETN1CM-107Z | E CAPACITOR | 100uF 16V M | | R5428 | QRL01DJ-220X | OMF RESISTOR | 22Ω 1W J | 68J,68C,68B,68E,68E N,68EV,68A,68UJ,68UW |
| C5611 | NDC31HJ-101X | C CAPACITOR | 100pF 50V J | | R5499 | NRSA63J-105X | MG RESISTOR | 1MΩ 1/16W J | 68J,68C,68B,68E,68E N,68EV,68A,68UJ,68UW |
| C5612 | NCB31CK-104X | C CAPACITOR | 0.1uF 16V K | | R5600 | NRSA63J-103X | MG RESISTOR | 10kΩ 1/16W J | |
| C5701 | QETN1HM-106Z | E CAPACITOR | 10uF 50V M | | R5601 | NRSA63J-220X | MG RESISTOR | 22Ω 1/16W J | |
| C5805 | QETN1EM-476Z | E CAPACITOR | 47uF 25V M | | R5602 | NRSA63J-105X | MG RESISTOR | 1MΩ 1/16W J | |
| C5901 | QETN1EM-476Z | E CAPACITOR | 47uF 25V M | | R5603 | NRSA63J-105X | MG RESISTOR | 1MΩ 1/16W J | |
| C5902 | QETN1EM-476Z | E CAPACITOR | 47uF 25V M | | R5604 | NRSA63J-105X | MG RESISTOR | 1MΩ 1/16W J | |
| R5001 | NRS144J-100X | MG RESISTOR | 10Ω 1/4W J | 68J,68C,68B,68E,68E N,68EV,68A,68UJ,68UW | R5605 | NRSA63J-101X | MG RESISTOR | 100Ω 1/16W J | |
| | | | | | R5606 | NRSA63J-152X | MG RESISTOR | 1.5kΩ 1/16W J | |
| | | | | | R5607 | NRSA63J-152X | MG RESISTOR | 1.5kΩ 1/16W J | |
| | | | | | R5611 | NRSA63J-220X | MG RESISTOR | 22Ω 1/16W J | |
| | | | | | R5701 | NRSA63J-823X | MG RESISTOR | 82kΩ 1/16W J | |
| | | | | | R5702 | NRSA63J-104X | MG RESISTOR | 100kΩ 1/16W J | |
| | | | | | R5703 | NRSA63J-104X | MG RESISTOR | 100kΩ 1/16W J | 68J,68C,68B,68E,68E N,68EV,68A,68UJ,68UW |
| | | | | | R5704 | NRSA63J-823X | MG RESISTOR | 82kΩ 1/16W J | 68J,68C,68B,68E,68E N,68EV,68A,68UJ,68UW |

| Symbol No. | Part No. | Part Name | Description | Local |
|------------|-----------------|----------------|---------------|--|
| R5705 | NRSA63J-102X | MG RESISTOR | 1kΩ 1/16W J | |
| R5706 | NRSA63J-104X | MG RESISTOR | 100kΩ 1/16W J | |
| R5805 | NRSA63J-203X | MG RESISTOR | 20kΩ 1/16W J | 68J,68C,68B,68E,68E N,68EV,68A,68UJ,68UW |
| R5805 | NRSA63J-153X | MG RESISTOR | 15kΩ 1/16W J | 38J,38C |
| R5806 | NRSA63J-203X | MG RESISTOR | 20kΩ 1/16W J | 68J,68C,68B,68E,68E N,68EV,68A,68UJ,68UW |
| R5806 | NRSA63J-153X | MG RESISTOR | 15kΩ 1/16W J | 38J,38C |
| R5807 | NRSA63J-203X | MG RESISTOR | 20kΩ 1/16W J | 68J,68C,68B,68E,68E N,68EV,68A,68UJ,68UW |
| R5808 | NRSA63J-203X | MG RESISTOR | 20kΩ 1/16W J | 68J,68C,68B,68E,68E N,68EV,68A,68UJ,68UW |
| R5809 | NRSA63J-473X | MG RESISTOR | 47kΩ 1/16W J | |
| △R5888 | QRZ9005-470X | FUSI RESISTOR | 47Ω | |
| △R5889 | QRZ9005-470X | FUSI RESISTOR | 47Ω | |
| R5901 | NRSA63J-823X | MG RESISTOR | 82kΩ 1/16W J | |
| R5902 | NRSA63J-823X | MG RESISTOR | 82kΩ 1/16W J | |
| R5903 | NRSA63J-752X | MG RESISTOR | 7.5kΩ 1/16W J | |
| R5904 | NRSA63J-752X | MG RESISTOR | 7.5kΩ 1/16W J | |
| R5999 | QRJ146J-820X | UNF C RESISTOR | 82Ω 1/4W J | |
| L5101 | QQR1820-001 | CHOKO COIL | | |
| L5201 | QQR1820-001 | CHOKO COIL | | |
| L5301 | QQR1820-001 | CHOKO COIL | | 68J,68C,68B,68E,68E N,68EV,68A,68UJ,68UW |
| L5401 | QQR1820-001 | CHOKO COIL | | 68J,68C,68B,68E,68E N,68EV,68A,68UJ,68UW |
| CN501 | QGB2510J1-08 | CONNECTOR | B-B (1-8) | |
| CN502 | QGB2510J1-09 | CONNECTOR | B-B (1-9) | |
| EP502 | QNZ0136-001Z | EARTH PLATE | | |
| FW500 | QJK015-041014-E | WIRE | | |
| FW555 | WJK0261-001A-E | WIRE | | 68UJ,68UW |
| J5100 | QNB0315-001 | SPEAKER | | 68J,68C,68B,68E,68E N,68EV,68A,68UJ,68UW |
| J5100 | QNB0314-001 | SPEAKER | | 38J,38C |
| J5555 | QSW1190-001 | B TO B CONNE | | 68UJ,68UW |
| K5001 | QQR0621-001Z | FERRITE BEADS | | |
| K5002 | QQR0621-001Z | FERRITE BEADS | | |
| K5601 | QQR0621-001Z | FERRITE BEADS | | |
| K5612 | QLL244K-220Z | P COIL | 22uH K | |
| PP503 | QNZ0104-001 | POST PIN | | 68B,68E,68EN,68EV |
| RY510 | QSK0194-001 | RELAY | | |
| RY520 | QSK0194-001 | RELAY | | |
| WC501 | QZW0112-001 | WIRE CLAMP | | |
| X5601 | QAX0937-001 | CRYSTAL | | |
| X5602 | QAX0936-001 | CRYSTAL | | |

iPod jack board

Block No. [0][3]

| Symbol No. | Part No. | Part Name | Description | Local |
|------------|---------------|---------------|---------------|-------|
| R9801 | NRSA63J-513X | MG RESISTOR | 51kΩ 1/16W J | |
| R9802 | NRSA63J-513X | MG RESISTOR | 51kΩ 1/16W J | |
| R9803 | NRSA63J-753X | MG RESISTOR | 75kΩ 1/16W J | |
| R9804 | NRSA63J-753X | MG RESISTOR | 75kΩ 1/16W J | |
| R9805 | NRSA63J-564X | MG RESISTOR | 560kΩ 1/16W J | |
| CN912 | NNZ0186-001 | CONNECTOR | | |
| CN914 | QGA1002F1-08X | CONNECTOR | W-B (1-8) | |
| K9801 | NQR0502-001X | FERRITE BEADS | | |
| K9802 | NQR0502-001X | FERRITE BEADS | | |
| K9803 | NQR0022-001X | FERRITE BEADS | | |
| K9804 | NQR0022-001X | FERRITE BEADS | | |
| K9805 | NQR0022-001X | FERRITE BEADS | | |
| K9806 | NQR0022-001X | FERRITE BEADS | | |
| K9807 | NQR0022-001X | FERRITE BEADS | | |
| K9808 | NQR0022-001X | FERRITE BEADS | | |

CD servo board [FMU-MJ4-1M]

Block No. [0][4]

| Symbol No. | Part No. | Part Name | Description | Local |
|------------|-----------------|-----------------|---------------|-------|
| IC201 | LA6242H-X | IC | | |
| IC301 | MN6627971DA | IC | | |
| IC302 | S-24CS16A0I-G-X | IC | | |
| IC304 | MM3233DF-X | IC | | |
| IC801 | MN103SFB5KWM1 | IC(MCU) | | |
| IC802 | MM1565AF-X | IC | | |
| Q301 | ISA1530AC1/QR/X | TRANSISTOR | | |
| Q801 | RT1N141C-X | DIGI TRANSISTOR | | |
| D302 | MA2SD31-X | SB DIODE | | |
| C101 | NCF31EZ-104X | C CAPACITOR | 0.1uF 25V Z | |
| C102 | NCF31EZ-104X | C CAPACITOR | 0.1uF 25V Z | |
| C103 | NCF31EZ-104X | C CAPACITOR | 0.1uF 25V Z | |
| C205 | NCB31HK-122X | C CAPACITOR | 1200pF 50V K | |
| C206 | NCB31HK-182X | C CAPACITOR | 1800pF 50V K | |
| C207 | NCB31HK-682X | C CAPACITOR | 6800pF 50V K | |
| C208 | NCB31HK-222X | C CAPACITOR | 2200pF 50V K | |
| C211 | NDC31HJ-680X | C CAPACITOR | 68pF 50V J | |
| C218 | QERF1AM-227Z | E CAPACITOR | 220uF 10V M | |
| C219 | NCB31CK-104X | C CAPACITOR | 0.1uF 16V K | |
| C220 | NCB31CK-104X | C CAPACITOR | 0.1uF 16V K | |
| C221 | NCB31CK-104X | C CAPACITOR | 0.1uF 16V K | |
| C301 | NCB31CK-104X | C CAPACITOR | 0.1uF 16V K | |
| C304 | NCB31CK-104X | C CAPACITOR | 0.1uF 16V K | |
| C305 | NCB21AK-225X | C CAPACITOR | 2.2uF 10V K | |
| C306 | NCB21CK-105X | C CAPACITOR | 1uF 16V K | |
| C309 | NCB31CK-104X | C CAPACITOR | 0.1uF 16V K | |
| C310 | NCB31CK-104X | C CAPACITOR | 0.1uF 16V K | |
| C312 | NCB31CK-104X | C CAPACITOR | 0.1uF 16V K | |
| C314 | NCB31CK-154X | C CAPACITOR | 0.15uF 16V K | |
| C315 | QEKJ0JM-476Z | E CAPACITOR | 47uF 6.3V M | |
| C316 | NCB31CK-104X | C CAPACITOR | 0.1uF 16V K | |
| C319 | NCB31CK-334X | C CAPACITOR | 0.33uF 16V K | |
| C320 | NCB31CK-104X | C CAPACITOR | 0.1uF 16V K | |
| C321 | NCB31CK-104X | C CAPACITOR | 0.1uF 16V K | |
| C322 | NCB31HK-681X | C CAPACITOR | 680pF 50V K | |
| C324 | NCB31CK-334X | C CAPACITOR | 0.33uF 16V K | |
| C325 | NCB31HK-102X | C CAPACITOR | 1000pF 50V K | |
| C326 | NCB31CK-823X | C CAPACITOR | 0.082uF 16V K | |
| C327 | NCB31HK-102X | C CAPACITOR | 1000pF 50V K | |
| C328 | NCB31CK-104X | C CAPACITOR | 0.1uF 16V K | |
| C329 | NCB31HK-153X | C CAPACITOR | 0.015uF 50V K | |
| C330 | NCB20JK-475X | C CAPACITOR | 4.7uF 6.3V K | |
| C331 | NCB31HK-332X | C CAPACITOR | 3300pF 50V K | |
| C332 | NCB31HK-223X | C CAPACITOR | 0.022uF 50V K | |
| C333 | QEKJ0JM-476Z | E CAPACITOR | 47uF 6.3V M | |

| △ Symbol No. | Part No. | Part Name | Description | Local | △ Symbol No. | Part No. | Part Name | Description | Local |
|--------------|--------------|-------------|---------------|-------|--------------|---------------|---------------|----------------|-------|
| C334 | QEKJ0JM-476Z | E CAPACITOR | 47uF 6.3V M | | R353 | NRSA63J-103X | MG RESISTOR | 10kΩ 1/16W J | |
| C337 | NCB31CK-104X | C CAPACITOR | 0.1uF 16V K | | R356 | NRSA63J-103X | MG RESISTOR | 10kΩ 1/16W J | |
| C338 | QEKJ0JM-476Z | E CAPACITOR | 47uF 6.3V M | | R357 | NRSA63J-103X | MG RESISTOR | 10kΩ 1/16W J | |
| C339 | QEKJ0JM-476Z | E CAPACITOR | 47uF 6.3V M | | R358 | NRSA63J-105X | MG RESISTOR | 1MΩ 1/16W J | |
| C340 | NCB31CK-104X | C CAPACITOR | 0.1uF 16V K | | R359 | NRSA63J-221X | MG RESISTOR | 220Ω 1/16W J | |
| C341 | NCB31CK-104X | C CAPACITOR | 0.1uF 16V K | | R360 | NRSA63J-101X | MG RESISTOR | 100Ω 1/16W J | |
| C342 | NCB31CK-104X | C CAPACITOR | 0.1uF 16V K | | R363 | NRSA63J-472X | MG RESISTOR | 4.7kΩ 1/16W J | |
| C343 | NDC31HJ-270X | C CAPACITOR | 27pF 50V J | | R364 | NRSA63J-472X | MG RESISTOR | 4.7kΩ 1/16W J | |
| C344 | NDC31HJ-270X | C CAPACITOR | 27pF 50V J | | R367 | NRSA63J-563X | MG RESISTOR | 56kΩ 1/16W J | |
| C361 | NCB31CK-104X | C CAPACITOR | 0.1uF 16V K | | R368 | NRSA63J-102X | MG RESISTOR | 1kΩ 1/16W J | |
| C376 | NCB31CK-224X | C CAPACITOR | 0.22uF 16V K | | R369 | NRSA63J-0R0X | MG RESISTOR | 0Ω 1/16W J | |
| C377 | NCB31CK-104X | C CAPACITOR | 0.1uF 16V K | | R376 | NRSA63J-103X | MG RESISTOR | 10kΩ 1/16W J | |
| C701 | NCB31CK-104X | C CAPACITOR | 0.1uF 16V K | | R377 | NRSA63J-103X | MG RESISTOR | 10kΩ 1/16W J | |
| C702 | NCB31CK-104X | C CAPACITOR | 0.1uF 16V K | | R381 | NRSA63J-471X | MG RESISTOR | 470Ω 1/16W J | |
| C801 | NDC31HJ-300X | C CAPACITOR | 30pF 50V J | | R382 | NRSA63J-471X | MG RESISTOR | 470Ω 1/16W J | |
| C802 | NDC31HJ-270X | C CAPACITOR | 27pF 50V J | | R383 | NRSA63J-103X | MG RESISTOR | 10kΩ 1/16W J | |
| C803 | NCB31CK-104X | C CAPACITOR | 0.1uF 16V K | | R701 | NRSA63J-102X | MG RESISTOR | 1kΩ 1/16W J | |
| C804 | NCB31CK-104X | C CAPACITOR | 0.1uF 16V K | | R801 | NRSA63J-223X | MG RESISTOR | 22kΩ 1/16W J | |
| C805 | NCB31CK-104X | C CAPACITOR | 0.1uF 16V K | | R802 | NRSA63J-200X | MG RESISTOR | 20Ω 1/16W J | |
| C806 | NCB31CK-104X | C CAPACITOR | 0.1uF 16V K | | R803 | NRSA63J-473X | MG RESISTOR | 47kΩ 1/16W J | |
| C807 | NCB31CK-104X | C CAPACITOR | 0.1uF 16V K | | R805 | NRSA63J-151X | MG RESISTOR | 150Ω 1/16W J | |
| C809 | NCB20JK-106X | C CAPACITOR | 10uF 6.3V K | | R806 | NRSA63J-332X | MG RESISTOR | 3.3kΩ 1/16W J | |
| C811 | NCB31CK-104X | C CAPACITOR | 0.1uF 16V K | | R807 | NRSA63J-0R0X | MG RESISTOR | 0Ω 1/16W J | |
| C814 | NCB21AK-225X | C CAPACITOR | 2.2uF 10V K | | R808 | NRSA63J-0R0X | MG RESISTOR | 0Ω 1/16W J | |
| C815 | QEKJ0JM-227Z | E CAPACITOR | 220uF 6.3V M | | R809 | NRSA63J-102X | MG RESISTOR | 1kΩ 1/16W J | |
| C816 | NDC31HJ-471X | C CAPACITOR | 470pF 50V J | | R810 | NRSA63J-102X | MG RESISTOR | 1kΩ 1/16W J | |
| C817 | NCB21CK-105X | C CAPACITOR | 1uF 16V K | | R814 | NRSA63J-102X | MG RESISTOR | 1kΩ 1/16W J | |
| R101 | NRSA63J-102X | MG RESISTOR | 1kΩ 1/16W J | | R815 | NRSA63J-200X | MG RESISTOR | 20Ω 1/16W J | |
| R102 | NRSA63J-151X | MG RESISTOR | 150Ω 1/16W J | | R816 | NRSA63J-153X | MG RESISTOR | 15kΩ 1/16W J | |
| R201 | NRSA63J-683X | MG RESISTOR | 68kΩ 1/16W J | | R817 | NRSA63J-153X | MG RESISTOR | 15kΩ 1/16W J | |
| R202 | NRSA63J-153X | MG RESISTOR | 15kΩ 1/16W J | | R819 | NRSA63J-563X | MG RESISTOR | 56kΩ 1/16W J | |
| R203 | NRSA63J-102X | MG RESISTOR | 1kΩ 1/16W J | | R820 | NRSA63J-473X | MG RESISTOR | 47kΩ 1/16W J | |
| R204 | NRSA63J-273X | MG RESISTOR | 27kΩ 1/16W J | | R821 | NRSA63J-0R0X | MG RESISTOR | 0Ω 1/16W J | |
| R205 | NRSA63J-153X | MG RESISTOR | 15kΩ 1/16W J | | L801 | NRSA02J-0R0X | MG RESISTOR | 0Ω 1/10W J | |
| R206 | NRSA63J-562X | MG RESISTOR | 5.6kΩ 1/16W J | | CN101 | QGF0501F8-15X | CONNECTOR | FFC/FPC (1-15) | |
| R207 | NRSA63J-682X | MG RESISTOR | 6.8kΩ 1/16W J | | CN701 | QGF1036F2-19 | CONNECTOR | FFC/FPC (1-19) | |
| R208 | NRSA63J-103X | MG RESISTOR | 10kΩ 1/16W J | | CN702 | QGF1036F2-08 | CONNECTOR | FFC/FPC (1-8) | |
| R209 | NRSA63J-562X | MG RESISTOR | 5.6kΩ 1/16W J | | CN801 | QGF1036F2-07 | CONNECTOR | FFC/FPC (1-7) | |
| R210 | NRSA63J-153X | MG RESISTOR | 15kΩ 1/16W J | | CN802 | QGA2001F6-05X | CONNECTOR | W-B (1-5) | |
| R211 | NRSA63J-153X | MG RESISTOR | 15kΩ 1/16W J | | K701 | NRSA63J-0R0X | MG RESISTOR | 0Ω 1/16W J | |
| R212 | NRSA63J-562X | MG RESISTOR | 5.6kΩ 1/16W J | | K702 | NRSA63J-0R0X | MG RESISTOR | 0Ω 1/16W J | |
| R213 | NRSA63J-103X | MG RESISTOR | 10kΩ 1/16W J | | K703 | NRSA63J-0R0X | MG RESISTOR | 0Ω 1/16W J | |
| R214 | NRSA63J-472X | MG RESISTOR | 4.7kΩ 1/16W J | | K704 | NRSA63J-0R0X | MG RESISTOR | 0Ω 1/16W J | |
| R221 | NRSA63J-102X | MG RESISTOR | 1kΩ 1/16W J | | K705 | NRSA63J-0R0X | MG RESISTOR | 0Ω 1/16W J | |
| R222 | NRSA63J-102X | MG RESISTOR | 1kΩ 1/16W J | | K706 | NRSA63J-0R0X | MG RESISTOR | 0Ω 1/16W J | |
| R223 | NRSA63J-102X | MG RESISTOR | 1kΩ 1/16W J | | K707 | NQR0022-002X | FERRITE BEADS | | |
| R224 | NRS181J-0R0X | MG RESISTOR | 0Ω 1/8W J | | K708 | NQR0022-002X | FERRITE BEADS | | |
| R301 | NRSA63J-563X | MG RESISTOR | 56kΩ 1/16W J | | K709 | NQR0022-002X | FERRITE BEADS | | |
| R303 | NRSA63J-333X | MG RESISTOR | 33kΩ 1/16W J | | K801 | NQR0360-002X | COIL | | |
| R304 | NRSA63J-563X | MG RESISTOR | 56kΩ 1/16W J | | K802 | NQR0360-002X | COIL | | |
| R308 | NRSA63J-221X | MG RESISTOR | 220Ω 1/16W J | | SW601 | QSW1047-002 | PUSH SWITCH | | |
| R309 | NRSA63J-221X | MG RESISTOR | 220Ω 1/16W J | | X301 | NAX0375-001X | CRYSTAL | 16.9344MHz | |
| R310 | NRSA63J-221X | MG RESISTOR | 220Ω 1/16W J | | X801 | QAX0724-001Z | CRYSTAL | 12.000000MHz | |
| R311 | NRSA63J-102X | MG RESISTOR | 1kΩ 1/16W J | | | | | | |
| R312 | NRSA63J-101X | MG RESISTOR | 100Ω 1/16W J | | | | | | |
| R313 | NRSA63J-101X | MG RESISTOR | 100Ω 1/16W J | | | | | | |
| R314 | NRSA63J-101X | MG RESISTOR | 100Ω 1/16W J | | | | | | |
| R315 | NRSA63J-102X | MG RESISTOR | 1kΩ 1/16W J | | | | | | |
| R319 | NRSA63J-0R0X | MG RESISTOR | 0Ω 1/16W J | | | | | | |
| R320 | NRSA63J-0R0X | MG RESISTOR | 0Ω 1/16W J | | | | | | |
| R321 | NRSA63J-0R0X | MG RESISTOR | 0Ω 1/16W J | | | | | | |
| R322 | NRSA63J-821X | MG RESISTOR | 820Ω 1/16W J | | | | | | |
| R323 | NRSA63J-272X | MG RESISTOR | 2.7kΩ 1/16W J | | | | | | |
| R324 | NRSA63J-823X | MG RESISTOR | 82kΩ 1/16W J | | | | | | |
| R325 | NRSA63J-473X | MG RESISTOR | 47kΩ 1/16W J | | | | | | |
| R330 | NRSA02F-100X | MG RESISTOR | 10Ω 1/10W F | | | | | | |
| R331 | NRSA02F-100X | MG RESISTOR | 10Ω 1/10W F | | | | | | |
| R336 | NRSA63J-100X | MG RESISTOR | 10Ω 1/16W J | | | | | | |
| R338 | NRSA63J-103X | MG RESISTOR | 10kΩ 1/16W J | | | | | | |
| R339 | NRSA63J-473X | MG RESISTOR | 47kΩ 1/16W J | | | | | | |
| R341 | NRSA63J-473X | MG RESISTOR | 47kΩ 1/16W J | | | | | | |
| R343 | NRSA63J-103X | MG RESISTOR | 10kΩ 1/16W J | | | | | | |
| R346 | NRSA63J-101X | MG RESISTOR | 100Ω 1/16W J | | | | | | |
| R348 | NRSA63J-101X | MG RESISTOR | 100Ω 1/16W J | | | | | | |
| R350 | NRSA63J-103X | MG RESISTOR | 10kΩ 1/16W J | | | | | | |
| R351 | NRSA63J-102X | MG RESISTOR | 1kΩ 1/16W J | | | | | | |
| R352 | NRSA63J-103X | MG RESISTOR | 10kΩ 1/16W J | | | | | | |

Loader board [FLM-J6-2M]

Block No. [0][5]

| △ Symbol No. | Part No. | Part Name | Description | Local |
|--------------|--------------|---------------|---------------|-------|
| CN1 | QGF1016F9-05 | CONNECTOR | FFC/FPC (1-5) | |
| S1 | QSW1074-002 | DETECT SWITCH | | |

CD module board [FMU-VK1-2M]

Block No. [0][6]

| Symbol No. | Part No. | Part Name | Description | Local |
|------------|-----------------|-------------|---------------|-------|
| IC201 | LA6242H-X | IC | | |
| IC301 | MN6627971DB | IC | | |
| IC302 | S-24CS16A0I-G-X | IC | | |
| IC304 | MM3233DF-X | IC | | |
| Q301 | ISA1530AC1/QR/X | TRANSISTOR | | |
| C101 | NCF31EZ-104X | C CAPACITOR | 0.1uF 25V Z | |
| C102 | NCF31EZ-104X | C CAPACITOR | 0.1uF 25V Z | |
| C103 | NCF31EZ-104X | C CAPACITOR | 0.1uF 25V Z | |
| C205 | NCB31HK-152X | C CAPACITOR | 1500pF 50V K | |
| C206 | NCB31HK-182X | C CAPACITOR | 1800pF 50V K | |
| C207 | NCB31HK-682X | C CAPACITOR | 6800pF 50V K | |
| C208 | NCB31HK-222X | C CAPACITOR | 2200pF 50V K | |
| C211 | NDC31HJ-680X | C CAPACITOR | 68pF 50V J | |
| C218 | NEAF1CM-107X | E CAPACITOR | 100uF 16V M | |
| C219 | NCB31CK-104X | C CAPACITOR | 0.1uF 16V K | |
| C220 | NCB31CK-104X | C CAPACITOR | 0.1uF 16V K | |
| C221 | NCB31CK-104X | C CAPACITOR | 0.1uF 16V K | |
| C301 | NCB31CK-104X | C CAPACITOR | 0.1uF 16V K | |
| C304 | NCB31CK-104X | C CAPACITOR | 0.1uF 16V K | |
| C305 | NCB21AK-225X | C CAPACITOR | 2.2uF 10V K | |
| C306 | NCB21CK-105X | C CAPACITOR | 1uF 16V K | |
| C309 | NCB31CK-104X | C CAPACITOR | 0.1uF 16V K | |
| C310 | NCB31CK-104X | C CAPACITOR | 0.1uF 16V K | |
| C312 | NCB31CK-104X | C CAPACITOR | 0.1uF 16V K | |
| C314 | NCB31CK-154X | C CAPACITOR | 0.15uF 16V K | |
| C315 | NEAF0JM-476X | E CAPACITOR | 47uF 6.3V M | |
| C316 | NCB31CK-104X | C CAPACITOR | 0.1uF 16V K | |
| C319 | NCB31CK-334X | C CAPACITOR | 0.33uF 16V K | |
| C320 | NCB31CK-104X | C CAPACITOR | 0.1uF 16V K | |
| C321 | NCB31CK-104X | C CAPACITOR | 0.1uF 16V K | |
| C322 | NCB31HK-681X | C CAPACITOR | 680pF 50V K | |
| C324 | NCB31CK-334X | C CAPACITOR | 0.33uF 16V K | |
| C325 | NCB31HK-102X | C CAPACITOR | 1000pF 50V K | |
| C326 | NCB31CK-823X | C CAPACITOR | 0.082uF 16V K | |
| C327 | NCB31HK-102X | C CAPACITOR | 1000pF 50V K | |
| C328 | NCB31CK-104X | C CAPACITOR | 0.1uF 16V K | |
| C329 | NCB31HK-153X | C CAPACITOR | 0.015uF 50V K | |
| C330 | NCB20JK-475X | C CAPACITOR | 4.7uF 6.3V K | |
| C331 | NCB31HK-332X | C CAPACITOR | 3300pF 50V K | |
| C332 | NCB31HK-223X | C CAPACITOR | 0.022uF 50V K | |
| C333 | NEAF0JM-476X | E CAPACITOR | 47uF 6.3V M | |
| C334 | NEAF0JM-476X | E CAPACITOR | 47uF 6.3V M | |
| C337 | NCB31CK-104X | C CAPACITOR | 0.1uF 16V K | |
| C338 | NEAF0JM-476X | E CAPACITOR | 47uF 6.3V M | |
| C339 | NEAF0JM-476X | E CAPACITOR | 47uF 6.3V M | |
| C340 | NCB31CK-104X | C CAPACITOR | 0.1uF 16V K | |
| C341 | NCB31CK-104X | C CAPACITOR | 0.1uF 16V K | |
| C342 | NCB31CK-104X | C CAPACITOR | 0.1uF 16V K | |
| C343 | NDC31HJ-270X | C CAPACITOR | 27pF 50V J | |
| C344 | NDC31HJ-270X | C CAPACITOR | 27pF 50V J | |
| C361 | NCB31CK-104X | C CAPACITOR | 0.1uF 16V K | |
| C376 | NCB31CK-224X | C CAPACITOR | 0.22uF 16V K | |
| C377 | NCB31CK-104X | C CAPACITOR | 0.1uF 16V K | |
| C701 | NCB31CK-104X | C CAPACITOR | 0.1uF 16V K | |
| C702 | NCB31CK-104X | C CAPACITOR | 0.1uF 16V K | |
| R101 | NRSA63J-102X | MG RESISTOR | 1kΩ 1/16W J | |
| R102 | NRSA63J-0R0X | MG RESISTOR | 0Ω 1/16W J | |
| R201 | NRSA63J-273X | MG RESISTOR | 27kΩ 1/16W J | |
| R202 | NRSA63J-153X | MG RESISTOR | 15kΩ 1/16W J | |
| R203 | NRSA63J-102X | MG RESISTOR | 1kΩ 1/16W J | |
| R204 | NRSA63J-103X | MG RESISTOR | 10kΩ 1/16W J | |
| R205 | NRSA63J-103X | MG RESISTOR | 10kΩ 1/16W J | |
| R206 | NRSA63J-562X | MG RESISTOR | 5.6kΩ 1/16W J | |
| R207 | NRSA63J-682X | MG RESISTOR | 6.8kΩ 1/16W J | |
| R208 | NRSA63J-103X | MG RESISTOR | 10kΩ 1/16W J | |
| R209 | NRSA63J-562X | MG RESISTOR | 5.6kΩ 1/16W J | |
| R210 | NRSA63J-153X | MG RESISTOR | 15kΩ 1/16W J | |
| R211 | NRSA63J-153X | MG RESISTOR | 15kΩ 1/16W J | |
| R212 | NRSA63J-562X | MG RESISTOR | 5.6kΩ 1/16W J | |
| R213 | NRSA63J-103X | MG RESISTOR | 10kΩ 1/16W J | |
| R214 | NRSA63J-472X | MG RESISTOR | 4.7kΩ 1/16W J | |

| Symbol No. | Part No. | Part Name | Description | Local |
|------------|---------------|-------------|----------------|-------|
| R221 | NRSA63J-102X | MG RESISTOR | 1kΩ 1/16W J | |
| R222 | NRSA63J-102X | MG RESISTOR | 1kΩ 1/16W J | |
| R223 | NRSA63J-102X | MG RESISTOR | 1kΩ 1/16W J | |
| R224 | NRS181J-0R0X | MG RESISTOR | 0Ω 1/8W J | |
| R303 | NRSA63J-333X | MG RESISTOR | 33kΩ 1/16W J | |
| R304 | NRSA63J-563X | MG RESISTOR | 56kΩ 1/16W J | |
| R319 | NRSA63J-0R0X | MG RESISTOR | 0Ω 1/16W J | |
| R320 | NRSA63J-0R0X | MG RESISTOR | 0Ω 1/16W J | |
| R321 | NRSA63J-0R0X | MG RESISTOR | 0Ω 1/16W J | |
| R322 | NRSA63J-821X | MG RESISTOR | 820Ω 1/16W J | |
| R323 | NRSA63J-272X | MG RESISTOR | 2.7kΩ 1/16W J | |
| R324 | NRSA63J-823X | MG RESISTOR | 82kΩ 1/16W J | |
| R325 | NRSA63J-473X | MG RESISTOR | 47kΩ 1/16W J | |
| R326 | NRSA63J-0R0X | MG RESISTOR | 0Ω 1/16W J | |
| R327 | NRSA63J-0R0X | MG RESISTOR | 0Ω 1/16W J | |
| R328 | NRSA63J-0R0X | MG RESISTOR | 0Ω 1/16W J | |
| R329 | NRSA63J-0R0X | MG RESISTOR | 0Ω 1/16W J | |
| R330 | NRSA02F-100X | MG RESISTOR | 10Ω 1/10W F | |
| R331 | NRSA02F-100X | MG RESISTOR | 10Ω 1/10W F | |
| R336 | NRSA63J-100X | MG RESISTOR | 10Ω 1/16W J | |
| R338 | NRSA63J-103X | MG RESISTOR | 10kΩ 1/16W J | |
| R339 | NRSA63J-473X | MG RESISTOR | 47kΩ 1/16W J | |
| R341 | NRSA63J-473X | MG RESISTOR | 47kΩ 1/16W J | |
| R343 | NRSA63J-103X | MG RESISTOR | 10kΩ 1/16W J | |
| R346 | NRSA63J-101X | MG RESISTOR | 100Ω 1/16W J | |
| R348 | NRSA63J-101X | MG RESISTOR | 100Ω 1/16W J | |
| R350 | NRSA63J-103X | MG RESISTOR | 10kΩ 1/16W J | |
| R352 | NRSA63J-103X | MG RESISTOR | 10kΩ 1/16W J | |
| R353 | NRSA63J-103X | MG RESISTOR | 10kΩ 1/16W J | |
| R356 | NRSA63J-103X | MG RESISTOR | 10kΩ 1/16W J | |
| R357 | NRSA63J-103X | MG RESISTOR | 10kΩ 1/16W J | |
| R358 | NRSA63J-105X | MG RESISTOR | 1MΩ 1/16W J | |
| R359 | NRSA63J-221X | MG RESISTOR | 220Ω 1/16W J | |
| R360 | NRSA63J-101X | MG RESISTOR | 100Ω 1/16W J | |
| R363 | NRSA63J-472X | MG RESISTOR | 4.7kΩ 1/16W J | |
| R364 | NRSA63J-472X | MG RESISTOR | 4.7kΩ 1/16W J | |
| R367 | NRSA63J-563X | MG RESISTOR | 56kΩ 1/16W J | |
| R368 | NRSA63J-102X | MG RESISTOR | 1kΩ 1/16W J | |
| R376 | NRSA63J-103X | MG RESISTOR | 10kΩ 1/16W J | |
| R377 | NRSA63J-103X | MG RESISTOR | 10kΩ 1/16W J | |
| R381 | NRSA63J-471X | MG RESISTOR | 470Ω 1/16W J | |
| R382 | NRSA63J-471X | MG RESISTOR | 470Ω 1/16W J | |
| R384 | NRSA63J-473X | MG RESISTOR | 47kΩ 1/16W J | |
| R701 | NRSA63J-102X | MG RESISTOR | 1kΩ 1/16W J | |
| CN101 | QGF1016F8-16W | CONNECTOR | FFC/FPC (1-16) | |
| CN102 | QGA2001F6-06X | CONNECTOR | W-B (1-6) | |
| CN701 | QGF1016F8-19W | CONNECTOR | FFC/FPC (1-19) | |
| K701 | NRSA63J-0R0X | MG RESISTOR | 0Ω 1/16W J | |
| K702 | NRSA63J-0R0X | MG RESISTOR | 0Ω 1/16W J | |
| K703 | NRSA63J-0R0X | MG RESISTOR | 0Ω 1/16W J | |
| K704 | NRSA63J-0R0X | MG RESISTOR | 0Ω 1/16W J | |
| K705 | NRSA63J-0R0X | MG RESISTOR | 0Ω 1/16W J | |
| K706 | NRSA63J-0R0X | MG RESISTOR | 0Ω 1/16W J | |
| X301 | NAX0375-001X | CRYSTAL | 16.9344MHz | |

CD loading switch board [FMU-VK1-2M]

Block No. [0][7]

| Symbol No. | Part No. | Part Name | Description | Local |
|------------|-----------------|---------------|---------------|-------|
| CN1 | QGF1040F1-05 | CONNECTOR | FFC/FPC (1-5) | |
| CN1 | or QGF1036F2-05 | CONNECTOR | FFC/FPC (1-5) | |
| S1 | QSW1074-002 | DETECT SWITCH | | |

<MEMO>

Packing and Accessories

Block No. [M][3][M][M]

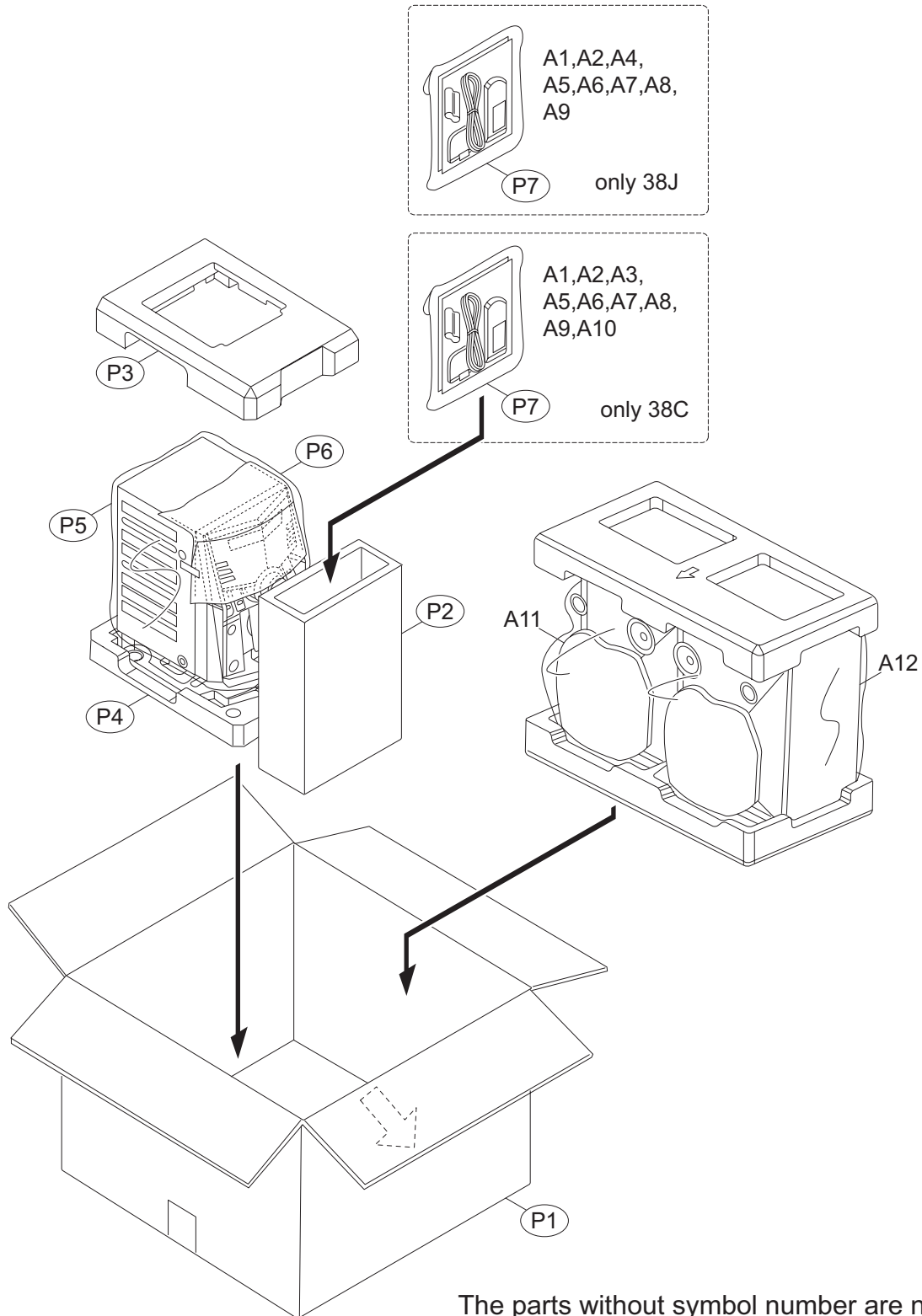
| △ Symbol No. | Part No. | Part Name | Description | Local |
|--------------|----------------|------------------|-------------|---------------------------|
| A 1 | GVT0243-001A | INST BOOK | ENG | 68J,68C |
| A 1 | GVT0243-003A | INST BOOK | ENG | 68B |
| A 1 | GVT0243-004A | INST BOOK | GER | 68E |
| A 1 | GVT0243-008A | INST BOOK | SPA | 68EN |
| A 1 | GVT0243-013A | INST BOOK | HUN | 68EV |
| A 1 | GVT0243-016A | INST BOOK | ENG | 68A,68UJ,68UW |
| A 2 | GVT0252-001A | CAUTION SHEET | | 68J,68C,68B,68A,68UJ,68UW |
| A 2 | GVT0252-002A | CAUTION SHEET | | 68E,68EN |
| A 2 | GVT0252-003A | CAUTION SHEET | | 68EV |
| A 3 | ----- | WARRANTY CARD | BT-52008-1 | 68C |
| A 3 | ----- | WARRANTY CARD | BT-54035-1 | 68B,68E,68EN,68EV |
| A 3 | ----- | WARRANTY CARD | BT-56016-1 | 68A |
| A 4 | BT-51041-1 | REGIST CARD | BT-51041-1 | 68J |
| A 4 | VNA3000-204 | REGIST CARD | | 68B |
| A 5 | or QAL0014-003 | AM LOOP ANT | | |
| A 5 | QAL0476-003 | AM LOOP ANT | | |
| A 6 | LVT1701-001A | SAFETY SHEET | | 68J,68C |
| A 7 | RM-SMXKC68A | REMOCON | | 68J,68C,68A,68UJ,68UW |
| A 7 | RM-SMXKC68R | REMOCON | | 68B,68E,68EN,68EV |
| A 8 | QAL0457-001 | ANT.WIRE | | |
| A 9 | ----- | BATTERY | 1.5V(x2) | |
| A 10 | GVT0243-002B | INST BOOK | FRE | 68C |
| A 11 | MXKC68-SPBOX-L | SPK WITH BOX-L | | |
| A 12 | MXKC68-SPBOX-R | SPK WITH BOX-R | | |
| A 13 | GV31162-001A | SPK WITH BOX-W | | |
| A 14 | GVT0243-005A | INST BOOK | FRE | 68E |
| A 14 | GVT0243-009A | INST BOOK | SWE | 68EN |
| A 14 | GVT0243-014A | INST BOOK | POL | 68EV |
| A 14 | GVT0243-017A | INST BOOK | SPA | 68UW |
| A 15 | GVT0243-006A | INST BOOK | DUT | 68E |
| A 15 | GVT0243-010A | INST BOOK | FIN | 68EN |
| A 15 | GVT0243-015A | INST BOOK | CZE | 68EV |
| A 15 | GVT0243-018A | INST BOOK | POR | 68UW |
| A 16 | GVT0243-007A | INST BOOK | ITA | 68E |
| A 16 | GVT0243-011A | INST BOOK | DAN | 68EN |
| A 16 | GVT0243-019A | INST BOOK | RUS | 68EV |
| A 17 | GVT0243-012A | INST BOOK | POR | 68EN |
| A 19 | LVT1923-001A | CAUTION SHEET | | 68B,68E,68EN,68EV |
| A 20 | ----- | WARRANTY CARD | BT-56017-1 | 68A |
| A 21 | E409393-004 | GOST LABEL | | 68EV |
| △ A 22 | QAM0112-002 | CONVERSION PLUG | | 68UJ,68UW |
| P 1 | GV31166-001A | CARTON | | 68J,68C,68UJ,68UW |
| P 1 | GV31166-004A | CARTON | | 68B,68E,68EN,68EV |
| P 1 | GV31166-003A | CARTON | | 68A |
| P 2 | GV31168-001A | CARTON SPACER | | 68J,68C,68UJ,68UW |
| P 2 | GV31168-002A | CARTON SPACER | | 68B,68E,68EN,68EV,68A |
| P 3 | GV10412-001A | CUSHION (TOP) | | 68J,68C,68UJ,68UW |
| P 3 | GV10421-001A | CUSHION (TOP) | | 68B,68E,68EN,68EV,68A |
| P 4 | GV10413-001A | CUSHION (BOTTOM) | | 68J,68C,68UJ,68UW |
| P 4 | GV10422-001A | CUSHION (BOTTOM) | | 68B,68E,68EN,68EV,68A |
| P 5 | QPC06506515PB | POLY BAG | 65cm x 65cm | |
| P 6 | GV40168-010A | SHEET | | |
| P 7 | QPC02503515PB | POLY BAG | 25cm x 35cm | |

Packing materials and accessories parts list

Only KC38

Block No. M 4 M M

No additional / supplemental order of WARRANTY CARDS are available.



The parts without symbol number are not service.

Packing and Accessories

Block No. [M][4][M][M]

| △ Symbol No. | Part No. | Part Name | Description | Local |
|--------------|-----------------|------------------|-------------|-------|
| A 1 | GVT0243-001A | INST BOOK | ENG | |
| A 2 | GVT0252-001A | CAUTION SHEET | | |
| A 3 | ----- | WARRANTY CARD | BT-52008-1 | 38C |
| A 4 | ----- | REGIST CARD | BT-51041-1 | 38J |
| A 5 | or QAL0014-003 | AM LOOP ANT | | |
| A 5 | QAL0476-003 | AM LOOP ANT | | |
| A 6 | LVT1701-001A | SAFETY SHEET | | |
| A 7 | RM-SMXKC38A | REMOCON | | |
| A 8 | QAL0457-001 | ANT.WIRE | | |
| A 9 | ----- | BATTERY | 1.5V(x2) | |
| A 10 | GVT0243-002B | INST BOOK | FRE | 38C |
| A 11 | MXKC38J-SPBOX-L | SPK WITH BOX-L | | |
| A 12 | MXKC38J-SPBOX-R | SPK WITH BOX-R | | |
| P 1 | GV31167-001A | CARTON | | |
| P 2 | GV31168-003A | CARTON SPACER | | |
| P 3 | GV10412-001A | CUSHION (TOP) | | |
| P 4 | GV10413-001A | CUSHION (BOTTOM) | | |
| P 5 | QPC06506515PB | POLY BAG | 65cm x 65cm | |
| P 6 | GV40168-010A | SHEET | | |
| P 7 | QPC02503515PB | POLY BAG | 25cm x 35cm | |